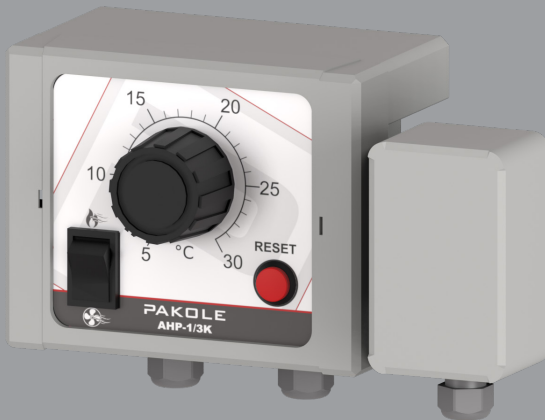




PAKOLE

USER'S MANUAL

**FOR INDUSTRIAL USE ONLY, 2-POINT REGULATION THERMOSTAT
WITH TEMPERATURE SENSOR, FOR 3 POINT REGULATION GTV
FORCED AIR HEATERS**



Regulator type:

AHP 1/3K

www.pakole.com

AHP1_3K_008_047_011_210505_V001_EN

EN

TABLE OF CONTENTS

1. Safety information	2
2. General information	3
3. Delivery, unpacking, handling	3
4. Operation principle	4
5. Appliance placement.....	5
Temperature regulator (front view)	5
Temperature regulator (rear view)	5
Appliance placement	6
6. Electrical connection for AHP-1/3	7
7. Maintenance	9
8. Technical parameters	9

1. SAFETY INFORMATION



ATTENTION! Read and understand this user's manual before assembling, starting, or servicing the device. The improper connection or usage can cause serious damages! Keep this manual in a safe place in order to obtain information in case of incidental problems.



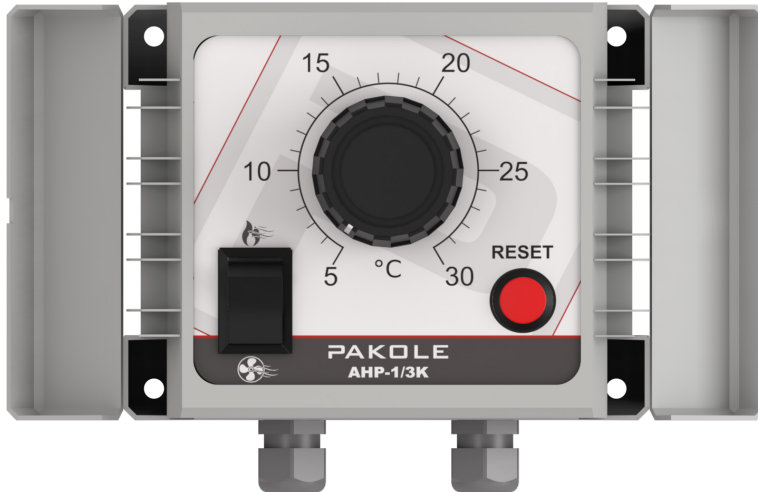
ATTENTION! If the electric cable is damaged, it must be changed by a qualified service person



ATTENTION! These regulators have been developed for devices manufactured and distributed by PAKOLE Trade Ltd., therefore they cannot be installed in other devices due to their different technical properties.

2. GENERAL INFORMATION

The **AHP-1/3** type temperature regulator is suitable for controlling a GTV type forced convection air heater or controlling a system constructed from these devices for heating of rooms.



3. DELIVERY, UNPACKING, HANDLING

The regulator is delivered in corrugated cardboard box.

The process of unpacking the device:

- Remove the corrugated paper box and the cover foil from the device.
- Check that the delivered package contains all the accessories.
 - 1pc temperature regulator
 - 1pc temperature sensor
 - 1pc user's manual
- Check the device for transport damage.
- If you notice that the regulator is damaged, inform our retailer immediately from whom you purchased the device!

4. OPERATION PRINCIPLE

The regulator can be used to operate two-stage heaters. The controller starts the heater in 100% operation below the set temperature by 1 ° C. When the temperature reaches the settings (desired temp.-3°C) the device switches to 50% power and it raise the temperature to the settings and keeps it there. If the needed temperature is reached, the controller stop the appliance(s).

There is a two-position mode switch on the front panel, which switches the “heating” (winter) mode in the upper position and the “ventilation” (summer) mode in the lower position.

- In the “Heating” mode, below the set temperature the thermostat starts the heater or a system of heaters and then switches them off as soon as the air temperature reaches the set (desired) temperature.
- In the “Ventilation” mode, below the set temperature, the thermostat stops ventilation and then restarts as the temperature rises.

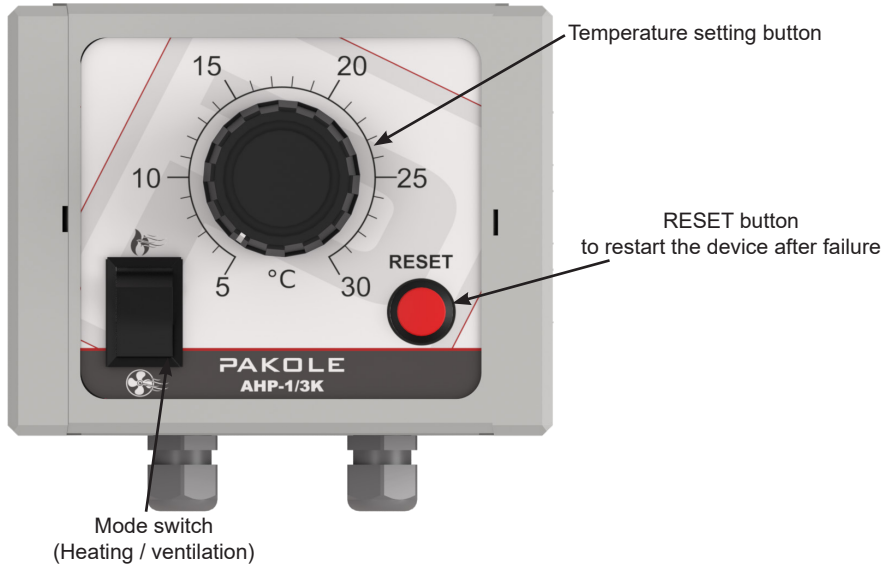
There is also placed a red „RESET” button on the front panel of the AHP-1/3 temperature regulator. If the GTV-type heater or the system of heaters are locked for some reason (ignition failure, gas shortage, etc.) the button is lighting. By pushing, it release the interlock.



ATTENTION! The set temperature is for information only. There may be a difference between the set and the measured temperature.

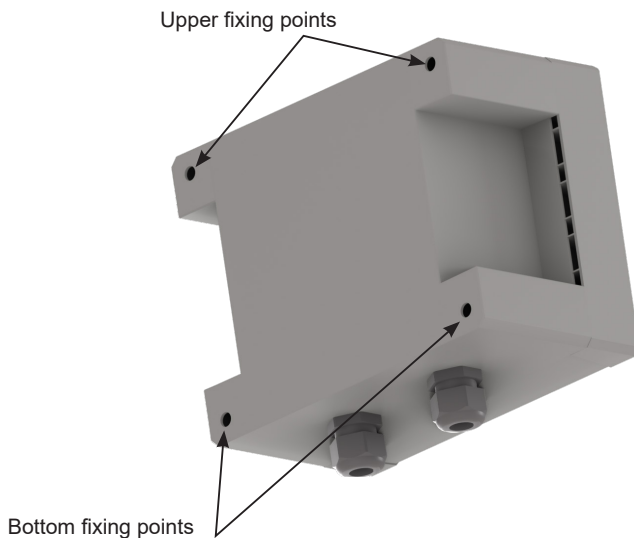
5. APPLIANCE PLACEMENT

TEMPERATURE-REGULATOR (FRONT VIEW)



1. fig: Front view of the temperature regulator

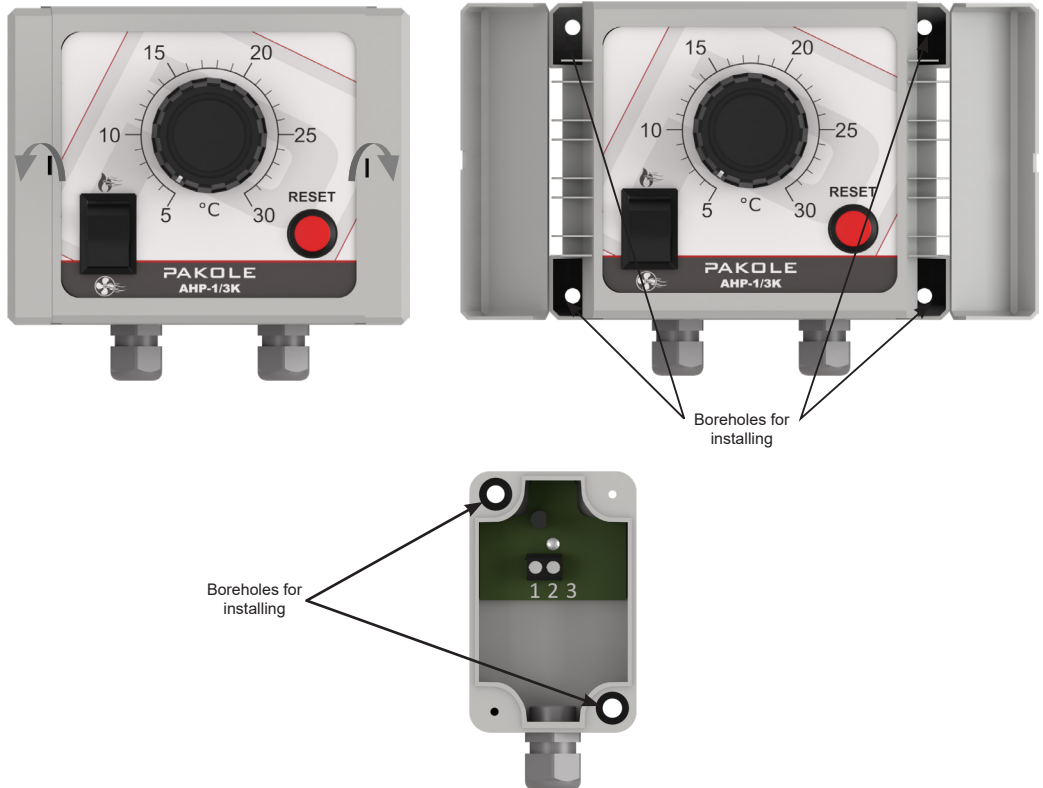
TEMPERATURE-REGULATOR (REAR VIEW)



2. fig: Rear view of the temperature regulator

APPLIANCE PLACEMENT

After unpacking the temperature regulator, open the tabs on the right and the left side of the regulator to access the 4 boreholes for mounting the device and the screws for fixing the box lid.



3. fig: Fixing points of the temperature regulator and sensor

In the room, the temperature regulator has to be placed at a height of 1.5 meter so it is protected from any radiation or other heat source.

In case of using radiant heaters the outdoor temperature sensor has to be placed at a height of 1.8-2 meter.

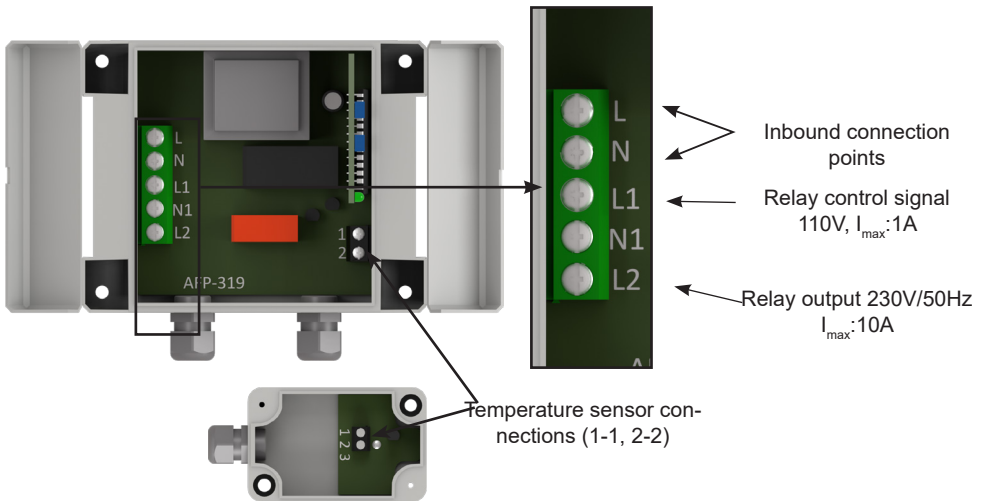


All installation, connection and removal of the box lid must only be carried out when it is devoid of voltage!

6. ELECTRICAL CONNECTION FOR AHP-1/3



ATTENTION! Improper connection of the control unit can lead to permanent damage!



4. fig: Connection points of the temperature regulator (terminal strip)

When connecting the power supply connection points (L, N) of the regulator, pay attention to be made as on the basis of the figure shown:

The neutral wire must be connected to connection point “N” and the phase wire must be connected to connection point “L”!

From the connection point L1 of the temperature regulator gives an operating control signal to the GTV type forced convection air heater and the system made of this devices (50% operation), the connection of L2 is 100% operation according to the operating mode set on the regulator.

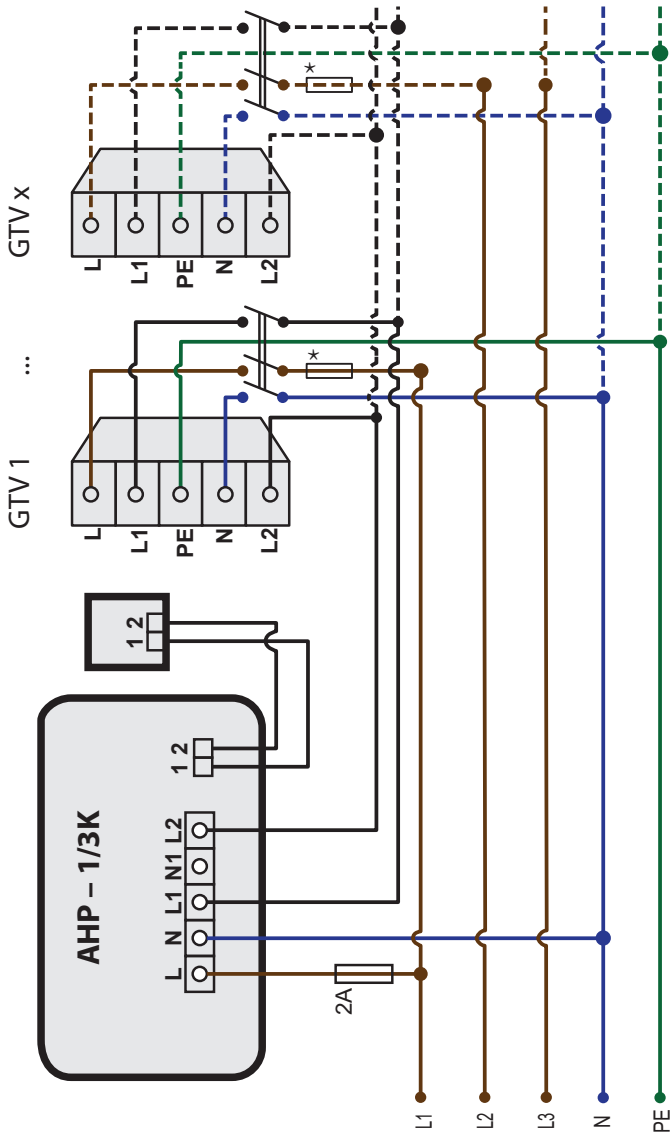
Only with this connection can be ensured that the GTV-type device works properly.



ATTENTION! Switching the regulator’s switch to the „0” position does not free from voltage either the temperature regulator or the heater! The regulator can be de-energized by disconnecting the connector on the device.



The regulator must be connected to the main electrical system with a two-pole isolating switch!



* Fuse values

20-48 kW	5 A
48-87 kW	13 A
87-107 kW	16 A

5. fig: AHP-1/3 Wiring of the temperature regulator to the electrical network.

7. MAINTENANCE

The temperature regulator does not require maintenance when the set is used functionally. In case of any failure the repairing can be fulfilled only by specialist or professional service!

NOTIFICATION OF TECHNICAL FAILURE:

PAKOLE TRADE Ltd.

H-8000 Székesfehérvár, Börgöndi út 8-10.

Tel.: +36 22 316 484

e-mail: szerviz@pakole.hu

8. TECHNICAL PARAMETERS

TECHNICAL DATA

Power supply:	230V / 50 Hz P _{max} : 1VA
Sensor:	NTC
Output:	Mode connected by L1 relay contact: 110VDC 1A L2 relay output: 230V/50Hz I _{max} :10A
Control interval:	nature of value-based regulation
Setting value:	+5...+30°C
Protection:	IP 31
Other data:	
House:	plastic
Connection:	through a gland to the screwed connecting strap
Insulation:	II. class
Enclosure size:	120 x 80 x 60mm

WARRANTY - AND SERVICES

Preserve this warranty card

Type: _____

Serial no.: _____

Date of purchasing: _____

LIMITED GUARANTEE *

The manufacturer guarantee the customer that the product and its parts are free from material and production fail. During normal use the warranty is 1 year. This warranty concerns the first retail customer.

The guarantee concerns the costs of laboratory investigations and the parts, which are needed for proper operation. The delivery and unforeseeable costs belong also to the mending costs and do not contain compensation costs.

Guarantee mending can only be realized by authorized retailer or service centre.

The guarantee does not concern the following fail, which are caused by: in proper using, damaging, neglect, accident, lack of maintenance, normal attrition, transformation, modification and operation influence able factor, contaminated fuel, installation of non-suitable part and mending which is done by not authorized retailer or service station.

The regular maintenance is the owner's responsibility.

The manufacturer does not assume the responsibility in case of accidentally happened or directly caused mistake respectively in proper using.

***We reserve the right to change of this specification without extra notification. The guarantee can be applied in accordance with above defined.**

Additional guarantee is not accepted.

Guarantee servicing

If your appliance needs guarantee service in that case it can be requested at nearest authorized service station giving in the appliance for repairs. This service is included with the purchase agreement.

Mending services

Take the appliance to the nearest authorized service station. If the device is not under guarantee the service cost will be invoiced to the customer at defined price. The service centres are independent from one another and may have different owners. We reserve the right to change of this specification without extra notification. If you would like to contact us the type and serial number of device always be at hand.

In case of other needed information write to the following address:

PAKOLE TRADE Ltd.

H-8000 Székesfehérvár, Börgöndi út 8-10.

Tel.: +36 22 316 484



PAKOLE

www.pakole.com

PAKOLE TRADE Ltd.

H-8000 Székesfehérvár, Börgöndi út 8-10.

www.pakole.com

mail@pakole.hu

Tel.: +36 22 316 484