

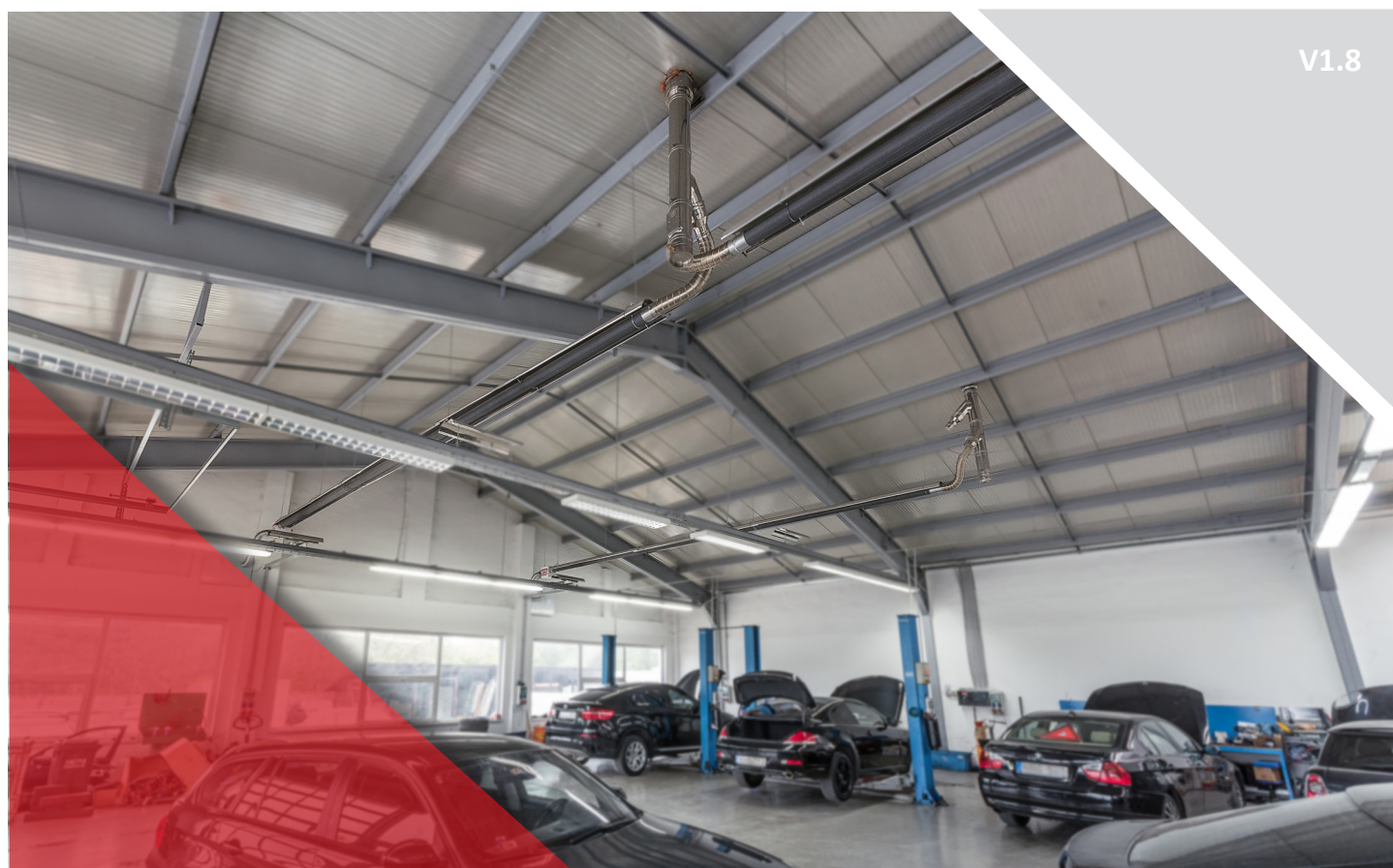
Industrial Heating Technology



PAKOLE

Our mission is to find the best possible solution for your heating ideas

Combined air supply and venting set



V1.8

2021

www.pakole.com

„It does not matter what you do, but one thing is certain, if you do it with pleasure and passion, you will be successful...”

GYULA KOVÁCS | THE FOUNDER OF THE CORPORATE GROUP

TABLE OF CONTENTS

4 Exhaust system solutions

For ZENIT tube radiant heaters

7 ZENIT INOX ECO Combined air supply and venting set

For ZENIT tube radiant heaters

13 ZENIT INOX Combined air supply and venting set

For ZENIT tube radiant heaters

22 Exhaust system solutions

For GTV air heaters

25 GTV INOX ECO Combined air supply and venting set

For GTV air heaters

29 GTV INOX Combined air supply and venting set

For GTV air heaters

38 GTV ALUMINIUM Combined air supply and venting set

For GTV air heaters

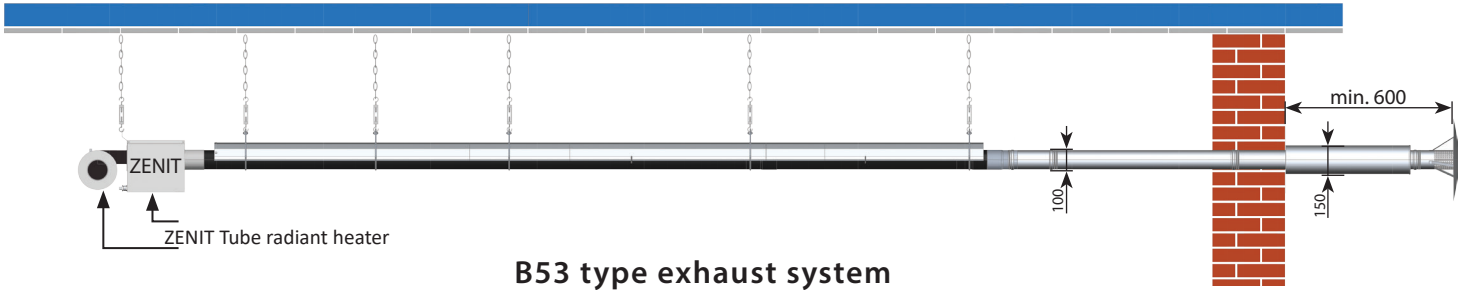
42 One-wall exhaust system profiles

For ZENIT tube radiant heaters and GTV air heaters

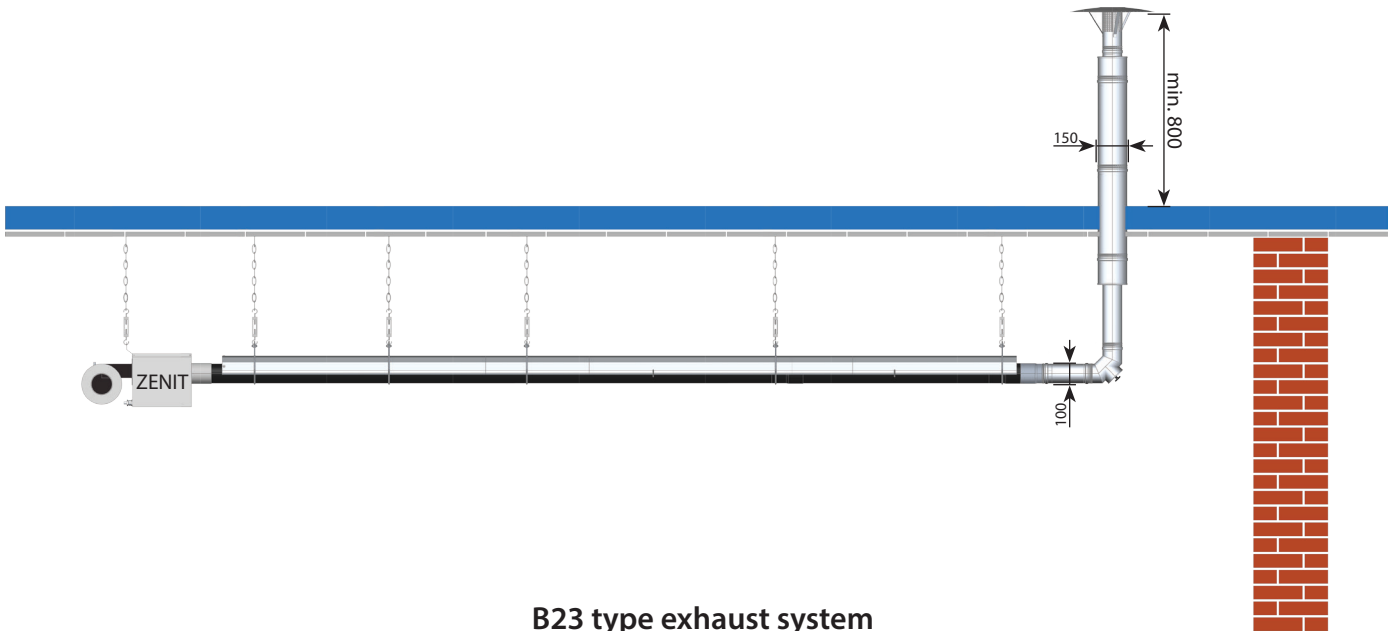
43 Burning-air lead-in and Coaxial exhaust system profiles

For ZENIT tube radiant heaters and GTV air heaters

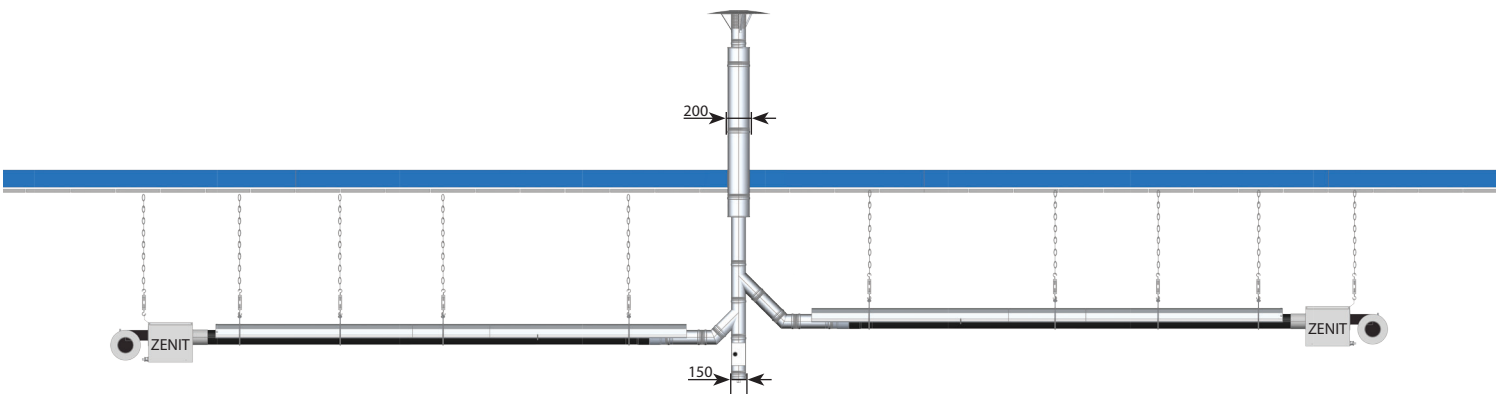
Exhaust system solutions



B53 type exhaust system



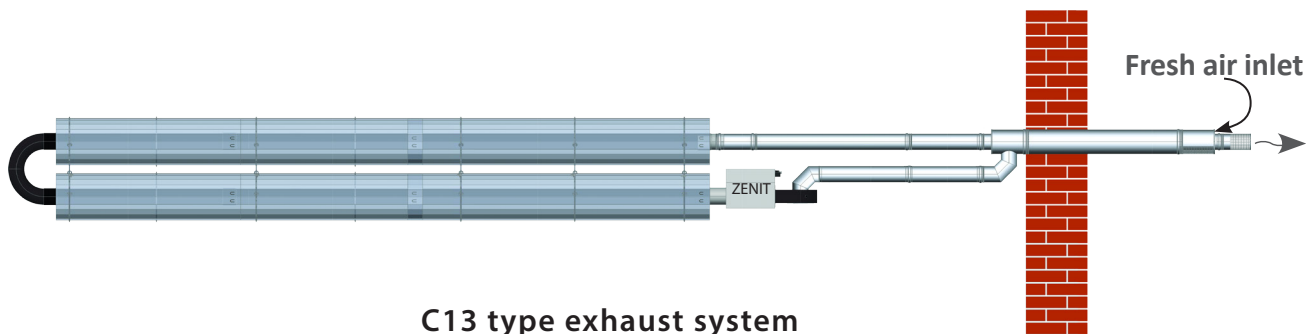
B23 type exhaust system



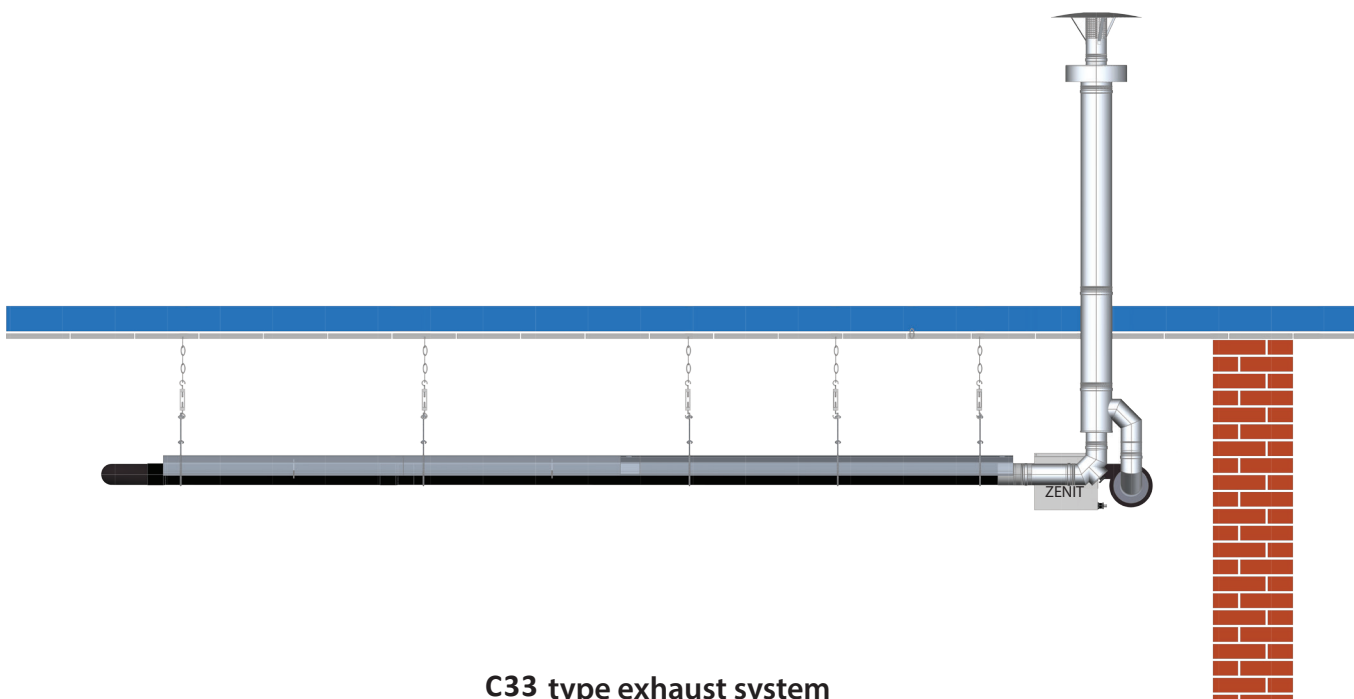
B33 type exhaust system

ZENIT air- and venting set

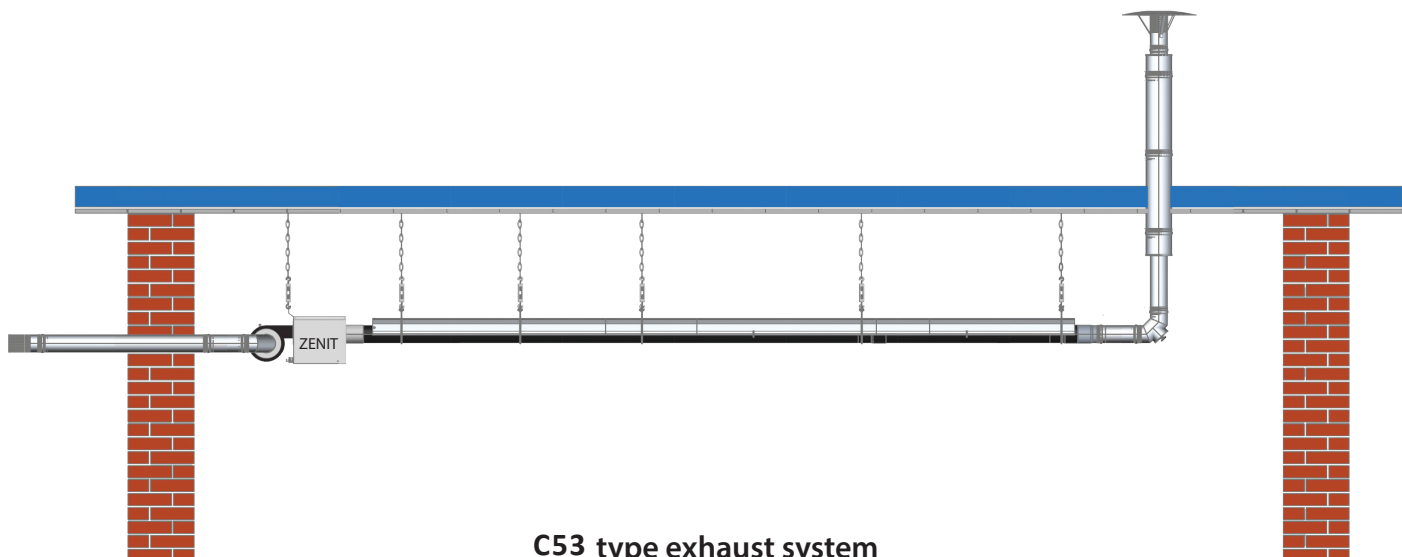
Exhaust system solutions



C13 type exhaust system



C33 type exhaust system



C53 type exhaust system

ZENIT air- and venting set

ZENIT Combined air supply and venting set

The ZENIT device family has got EC certificate for the following flue system codes:
B23, C13, C33, C53, C83.

For devices with capacity between 12kW and 48kW, the diameter of the air and flue system is 150/100 mm.
The diameter of the air and flue system of an equipment with a capacity of more than 48 kW is 200/100 mm.

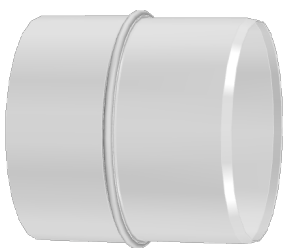
Note: The C83 type can only be used, if a 2 mbar natural draft is provided in the flue pipe.

The ECO sets cannot be extended, they must be treated as one unit!

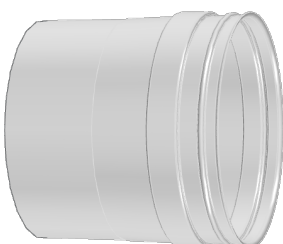
When ordering, or modifying the elements of the venting sets, the whole set must be assembled and ordered with new elements by article numbers!

The air intake and flue gas outlet connections of ZENIT products are „male” types.

The set you want to buy may require additional sections depending on the location of the installation.



„Male”
profile ending



„Female”
profile ending

ZENIT INOX ECO Combined air supply and venting set *

	Type	Article Nr.
	Vertical outside air supply with rain cap	TLSZ ECO 9833
	Vertical outside air supply with rain cap	TLSZ II ECO 9839
	Vertical venting set with rain cap	B23V ECO 9825
	Coaxial, horizontal combined air supply and venting set	C1xK ECO 9826
	Coaxial, vertical combined air supply and venting set with rain cap	C33K ECO 9823

* The ECO sets cannot be extended, they must be treated as one unit!

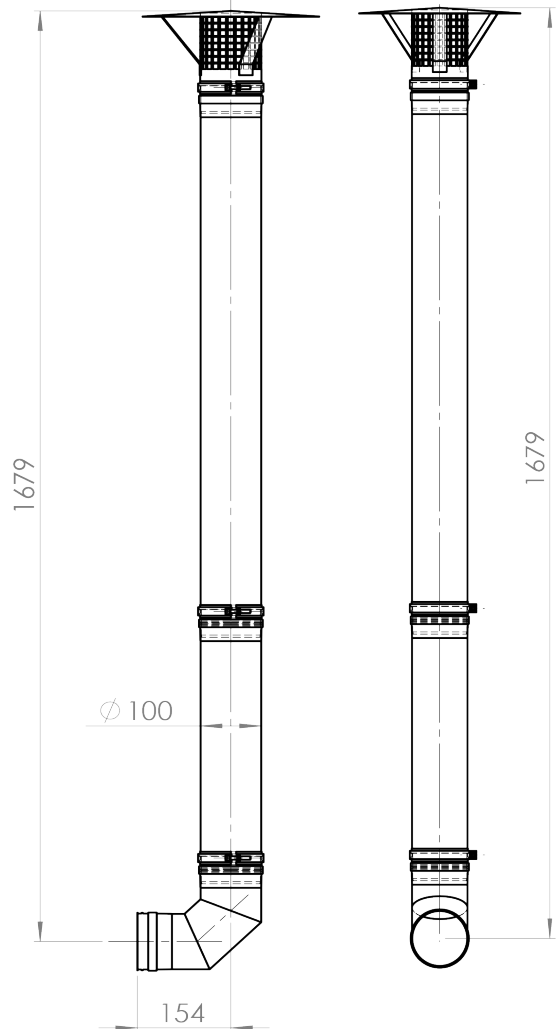
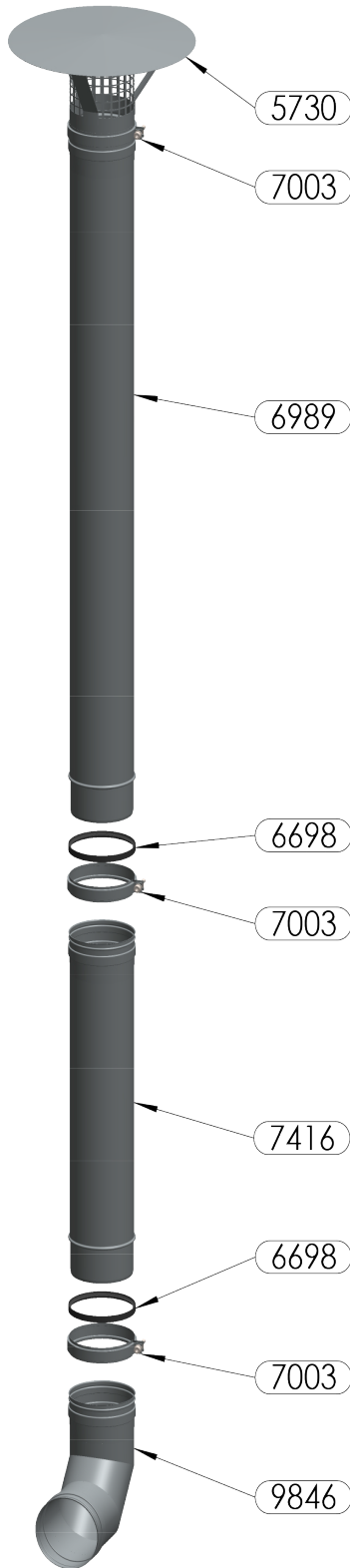
ZENIT INOX Combined air supply and venting set

	Type	Article Nr.
	Horizontal outside air supply	OLSZ 100/500 4600
	Horizontal combined air supply and venting set	C12 9614
	Horizontal venting set with rain cap	OFSZ 8478
	Vertical outside air supply with rain cap	TLSZ 100/2000 8572
	Coaxial, horizontal combined air supply and venting set	C1xK 7572
	Vertical venting set with rain cap and roof flashing	B23V 8479
	Coaxial, vertical combined air supply and venting set with rain cap and roof flashing	C33K 236
Common vertical venting set	KFSZ 7654	

* If the chosen tube radiant heater has a capacity higher than 48 kW, the 200/100 coaxial exhaust systems must be applied.

Description	Type	Article Nr.
Vertical outside air supply with rain cap	TLSZ ECO	9833

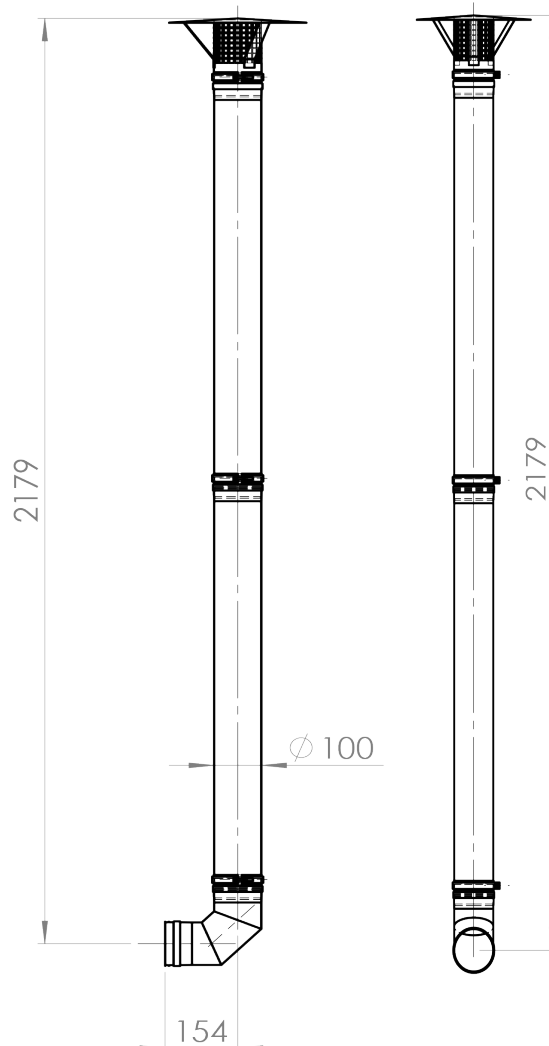
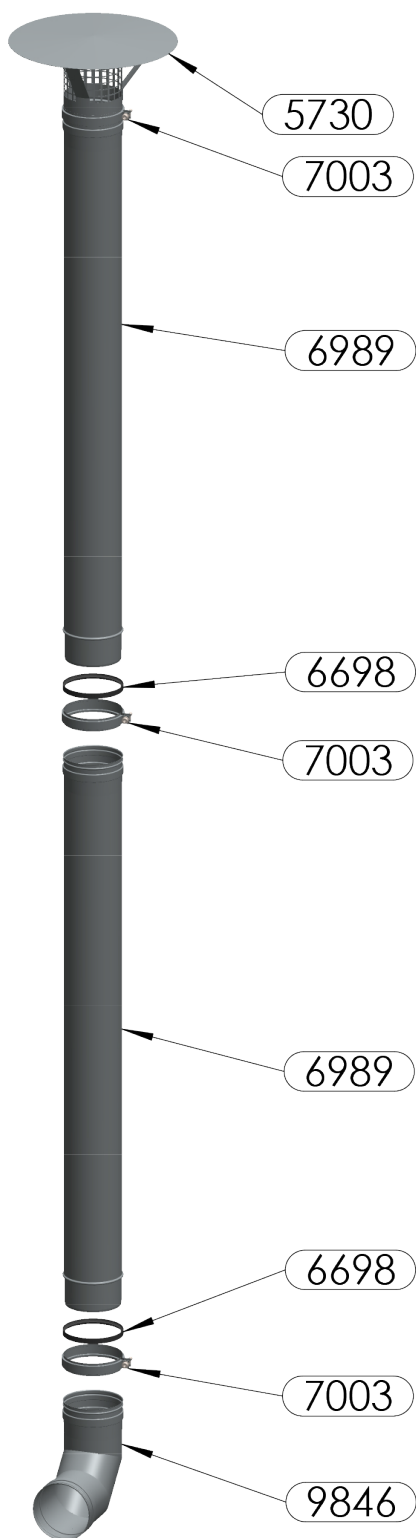
The ECO sets cannot be extended, they must be treated as one unit!



Article Nr.	pcs.	Description
5730	1	INOX Rain cap with perforation D=100 mm
7003	3	INOX Pipe clamp type S1, D=100 mm
6989	1	INOX Linear element L=1000 mm, D=100 mm
6698	2	Heat resistant O-ring D=100mm
7416	1	INOX Linear element L = 500 mm D = 100 mm
9846	1	INOX elbow 90° 3-segments, D = 100 mm, with both side female extension

Description	Type	Article Nr.
Vertical outside air supply with rain cap	TLSZ II ECO	9839

The ECO sets cannot be extended, they must be treated as one unit!



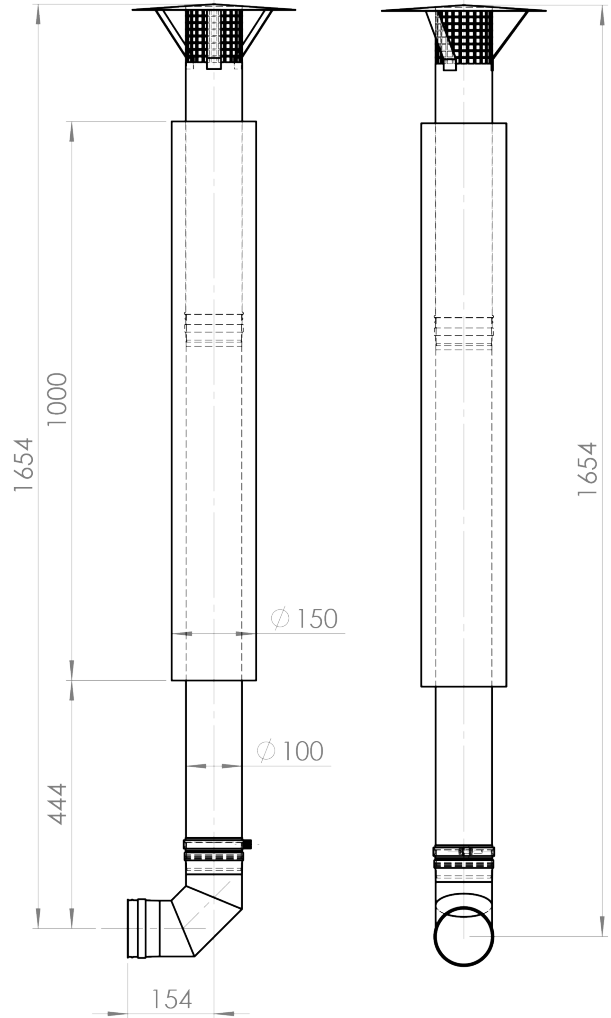
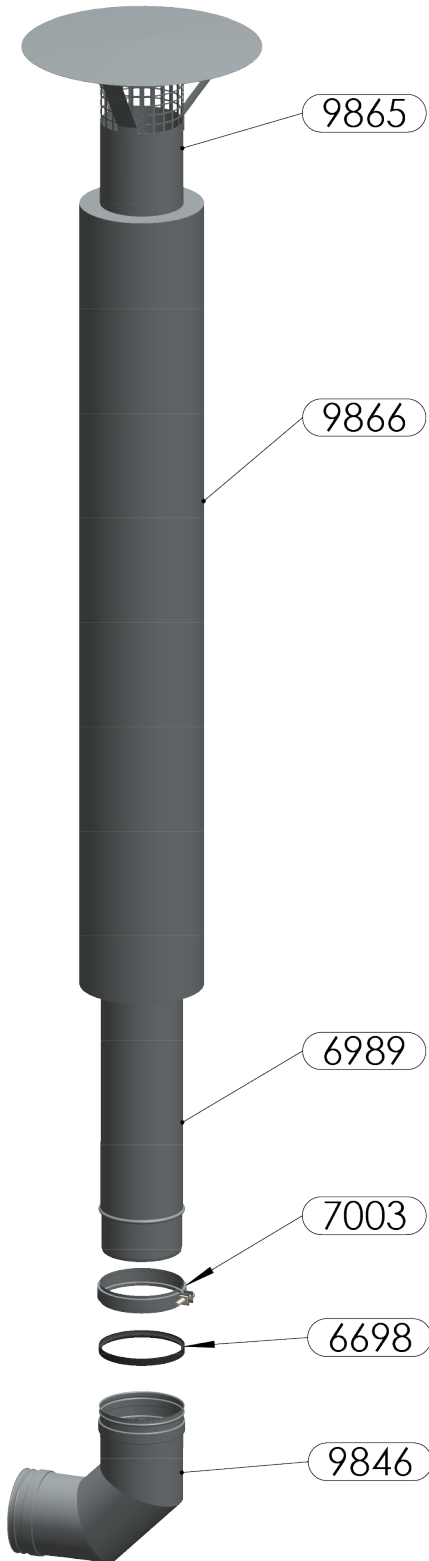
ZENIT air- and venting set

Article Nr.	pcs.	Description
5730	1	INOX Rain cap with perforation D=100 mm
7003	3	INOX Pipe clamp type S1, D=100 mm
6989	2	INOX Linear element L=1000 mm, D=100 mm
6698	2	Heat resistant O-ring D=100mm
9846	1	INOX elbow 90° 3-segments, D = 100 mm, with both side female extension

Description	Type	Article Nr.
Vertical venting set with rain cap. Double sided but not insulated.	B23V ECO	9825

The ECO sets cannot be extended, they must be treated as one unit!

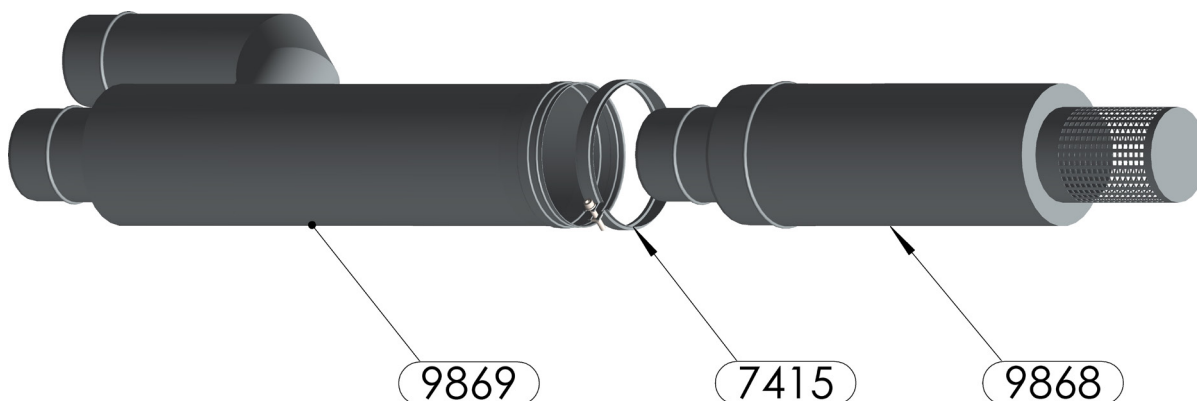
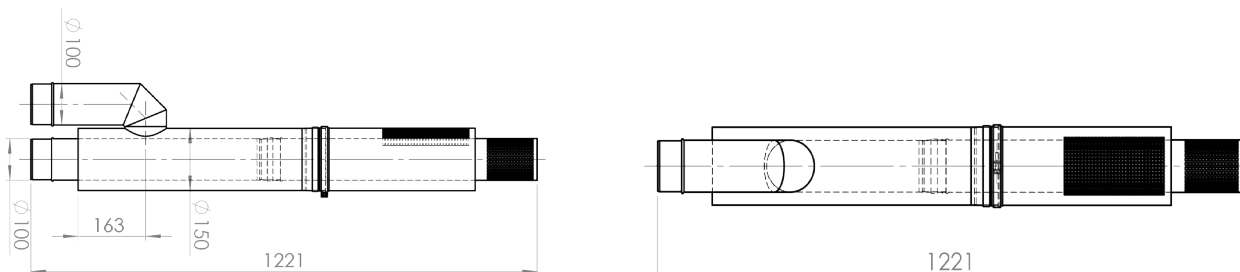
ZENIT air- and venting set



Article Nr.	pcs.	Description
9865	1	INOX Rain cap with perforation L = 615 mm, D = 100 mm
9866	1	INOX Double sided tube L=1 m, D=100/150 mm with closed ends
6989	1	INOX Linear element L=1000 mm, D=100 mm
7003	1	INOX Pipe clamp type S1, D=100 mm
6698	1	Heat resistant O-ring D=100mm
9846	1	INOX elbow 90° 3-segments, D = 100 mm, with both side female extension

Description	Type	Article Nr.
Coaxial, horizontal combined air supply and venting set	C1xK ECO	9826

The ECO sets cannot be extended, they must be treated as one unit!

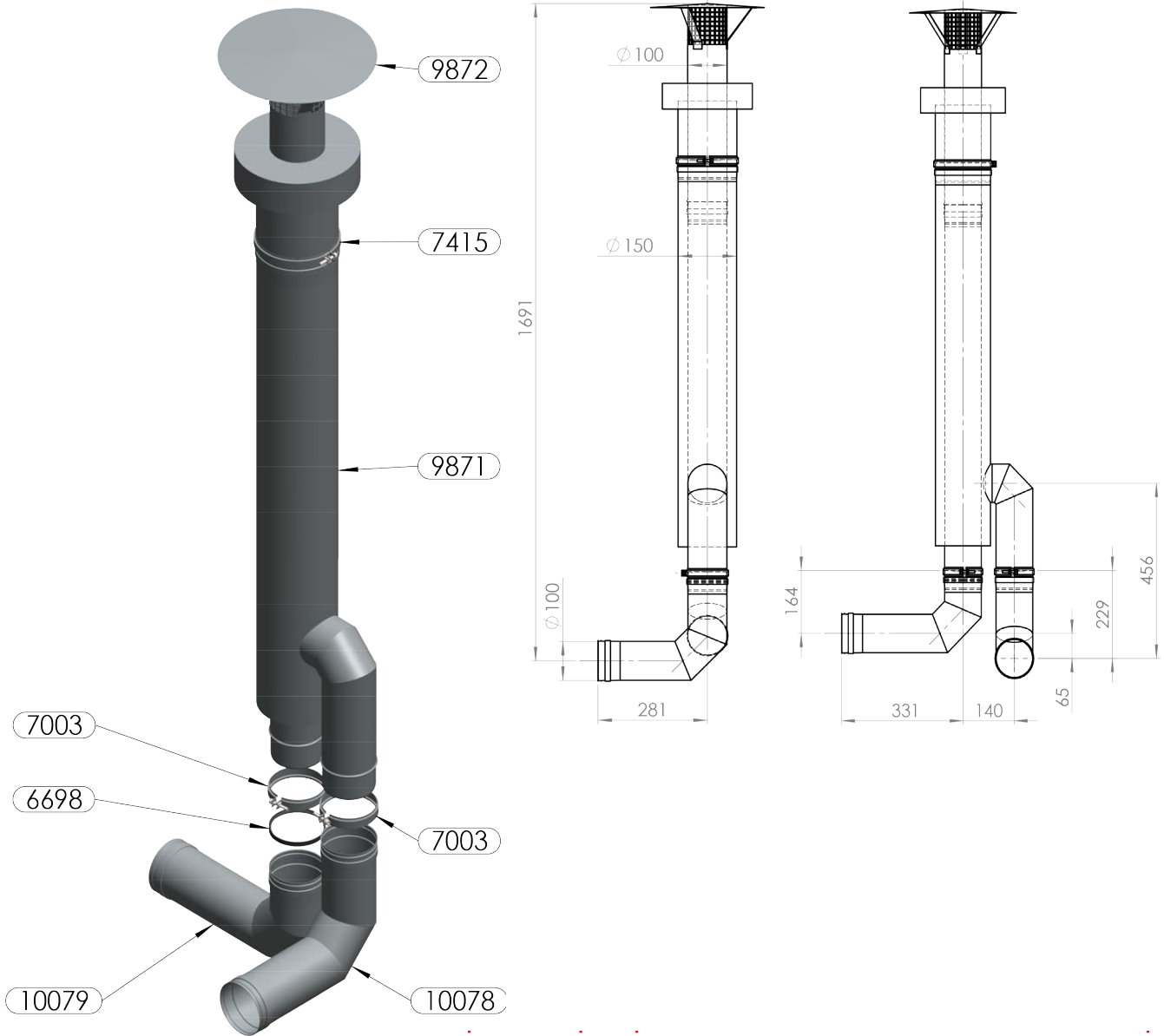


ZENIT air- and venting set

Article Nr.	pcs.	Description
9868	1	INOX Wall set combined, coaxial cap with perforation 400/100/150 mm
7415	1	INOX Pipe clamp type S-1, D = 150 mm
9869	1	INOX Connection part for two 100 mm pipes, 600/100/150 mm

Description	Type	Article Nr.
Coaxial, vertical combined air supply and venting set with rain cap	C33K ECO	9823

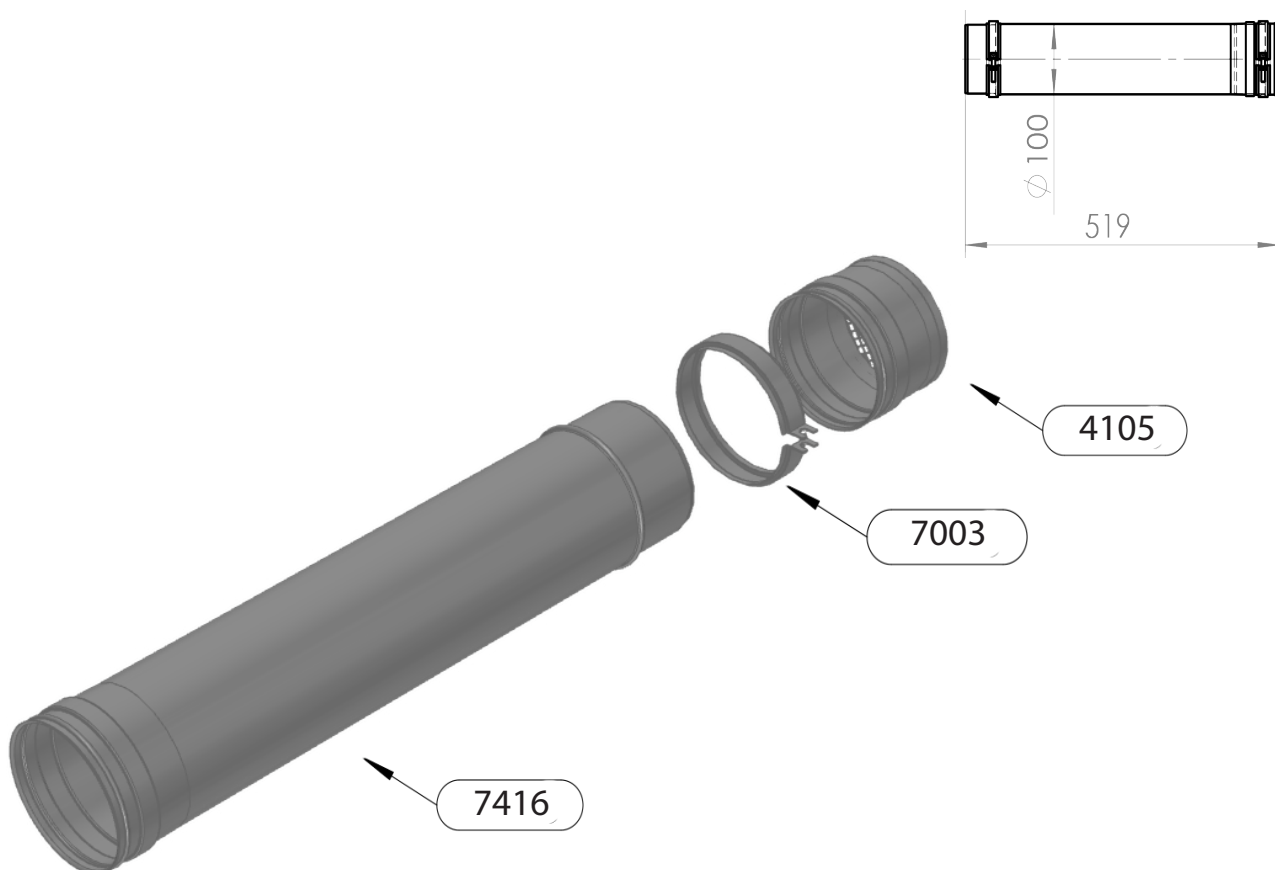
The ECO sets cannot be extended, they must be treated as one unit!



ZENIT air- and venting set

Article Nr.	pcs.	Description
6698	1	Heat resistant O-ring D=100mm
7003	2	INOX Pipe clamp type S1, D=100 mm
7415	1	INOX Pipe clamp type S-1, D = 150 mm
9871	1	INOX Connection part for two 100mm pipes, 1000/100/150 mm
9872	1	INOX Coaxial smoke/air supply roof set 100/150mm
10078	1	INOX Elbow 90° 3-segment with double female extension D = 100 mm, 280,5x229mm
10079	1	INOX Elbow 90° 3-segment with double female extension D = 100 mm, 330,5x164mm

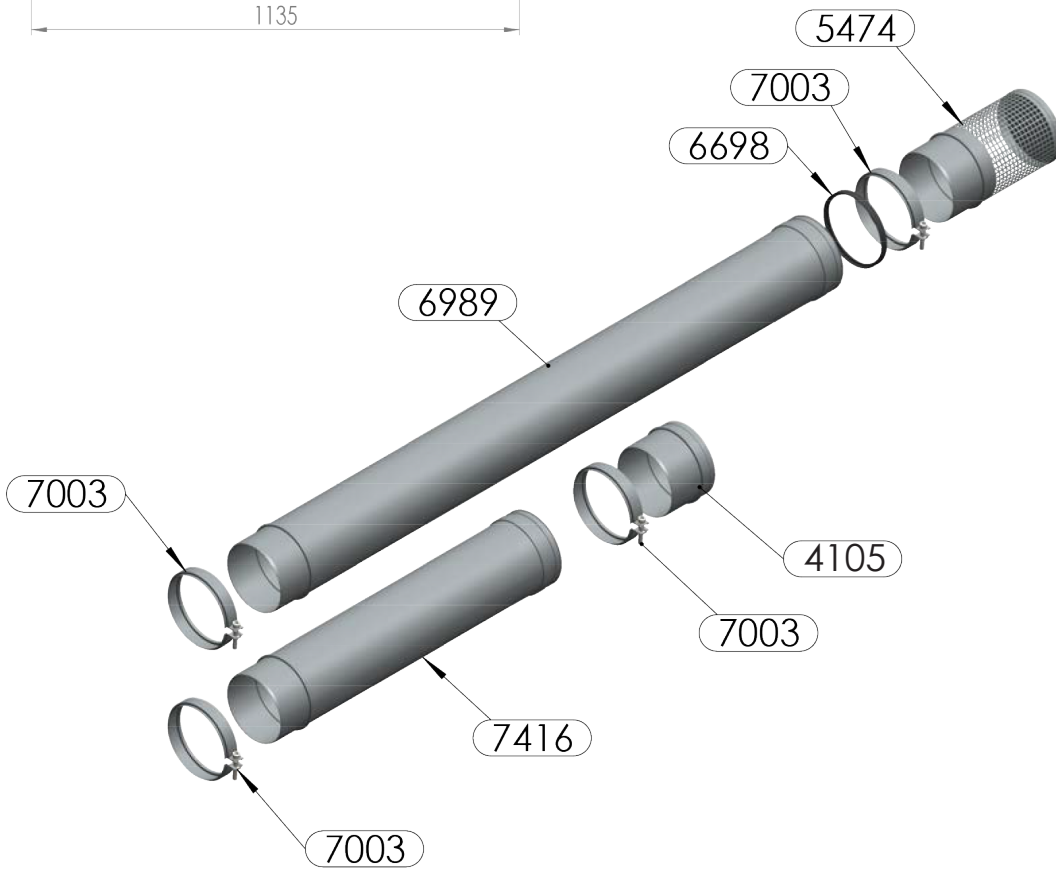
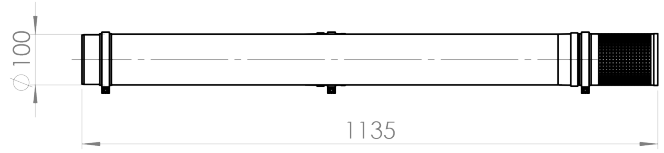
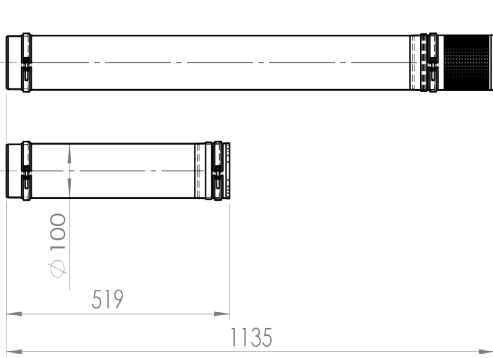
Description	Type	Article Nr.
Horizontal outside air supply	OLSZ 100/500	4600



ZENIT air- and venting set

Article Nr.	pcs.	Description
7003	1	INOX Pipe clamp type S1, D=100 mm
7416	1	INOX Linear element L = 500 mm D = 100 mm
4105	1	INOX Perforated plug D = 100 mm

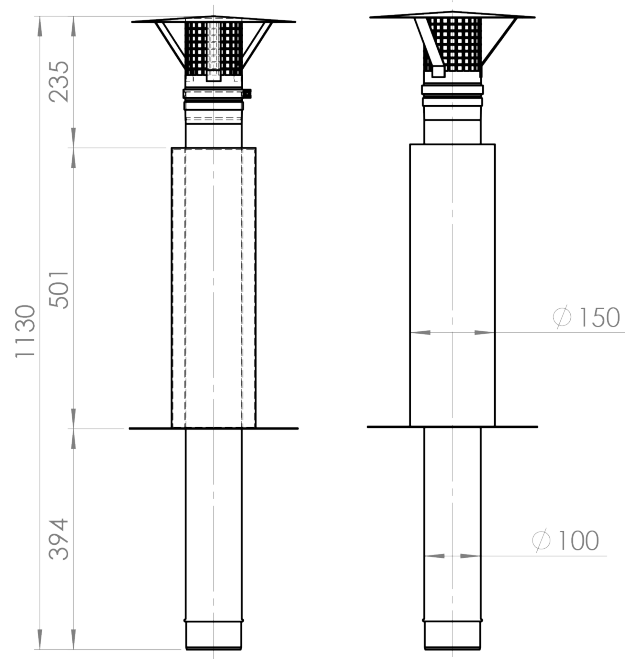
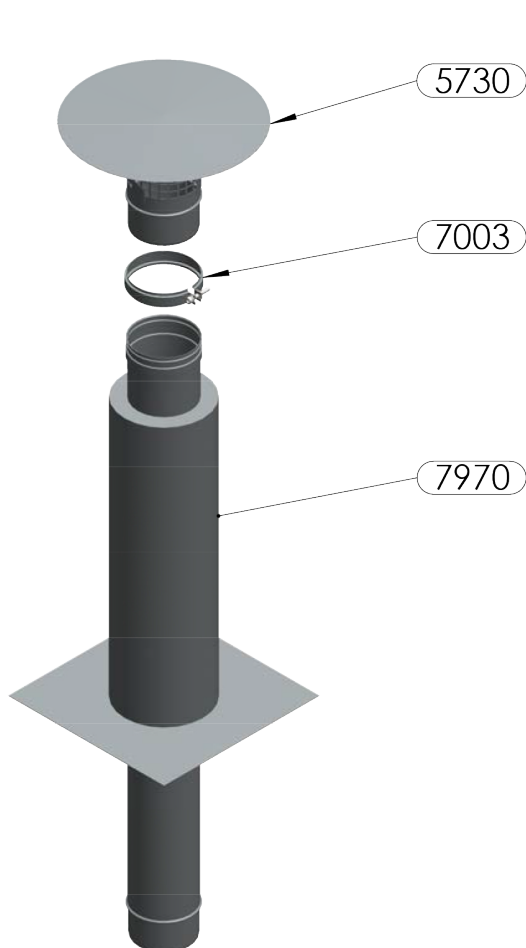
Description	Type	Article Nr.
Horizontal combined air supply and venting set	C12	9614



ZENIT air- and venting set

Article Nr.	pcs.	Description
5474	1	INOX Final element with perforation D = 100 mm
7003	4	INOX Pipe clamp type S1, D=100 mm
6698	1	Heat resistant O-ring D=100mm
6989	1	INOX Linear element L=1000 mm, D=100 mm
4105	1	INOX Perforated plug D = 100 mm
7416	1	INOX Linear element L = 500 mm D = 100 mm

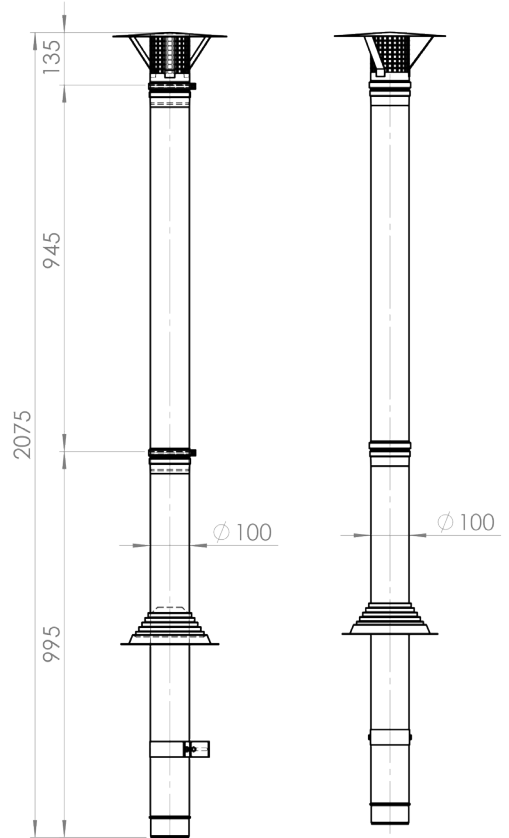
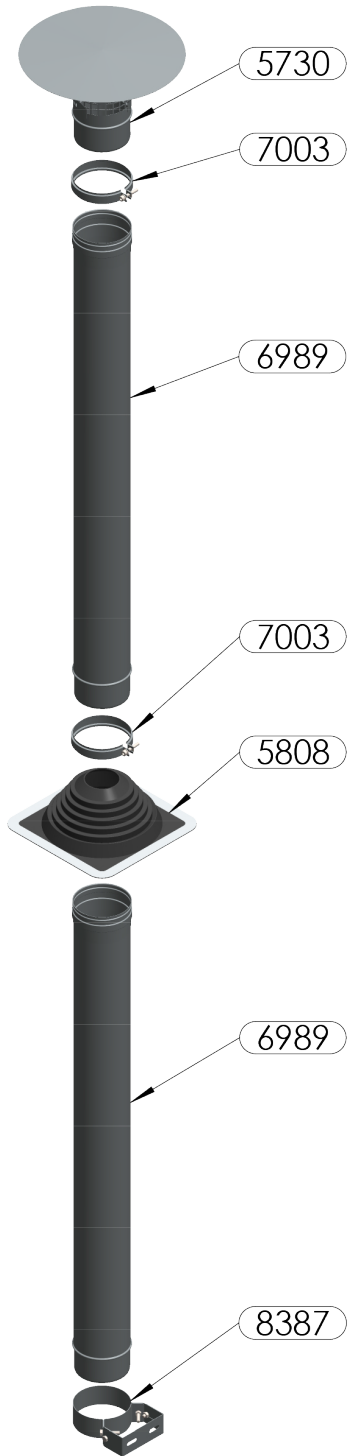
Description	Type	Article Nr.
Horizontal venting set with rain cap	OFSZ	8478



ZENIT air- and venting set

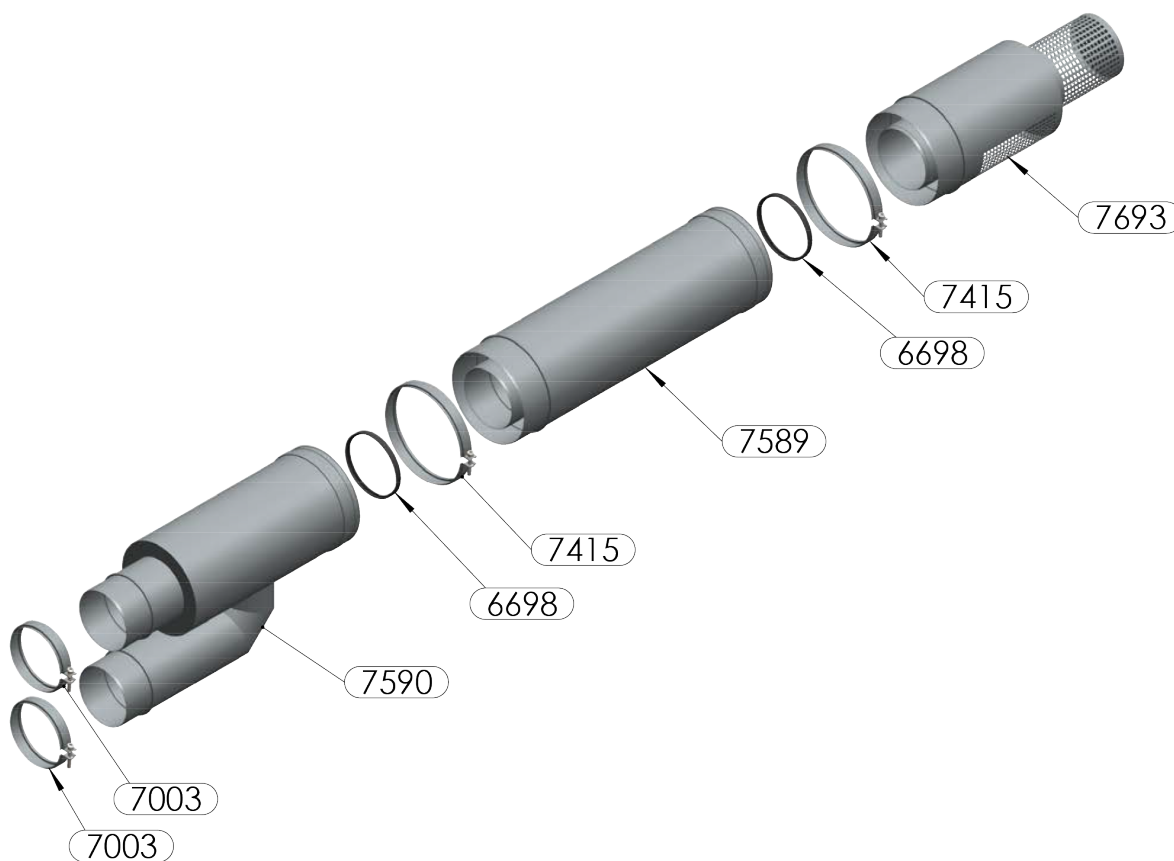
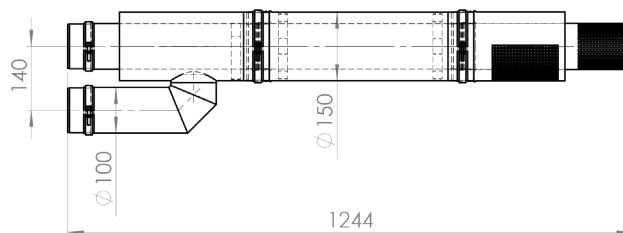
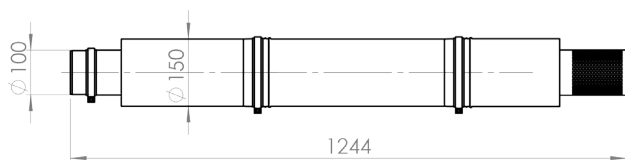
Article Nr.	pcs.	Description
5730	1	INOX Rain cap with perforation D=100 mm
7003	1	INOX Pipe clamp type S1, D=100 mm
7970	1	INOX wall mounted flue system 100/150/1000/600

Description	Type	Article Nr.
Vertical outside air supply with rain cap	TLSZ 100/2000	8572



Article Nr.	pcs.	Description
5730	1	INOX Rain cap with perforation D=100 mm
7003	2	INOX Pipe clamp type S1, D=100 mm
6989	2	INOX Linear element L=1000 mm, D=100 mm
5808	1	Rubber insulation for chimney D=76,2 - 152,4 mm
8387	1	INOX Wall collar D=100 mm

Description	Type	Article Nr.
Coaxial, horizontal combined air supply and venting set	C1xK	7572



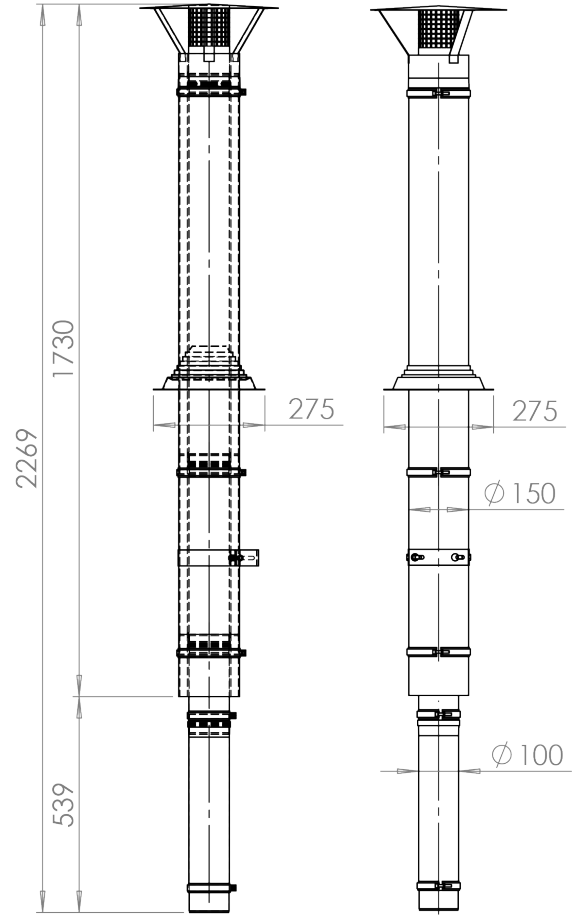
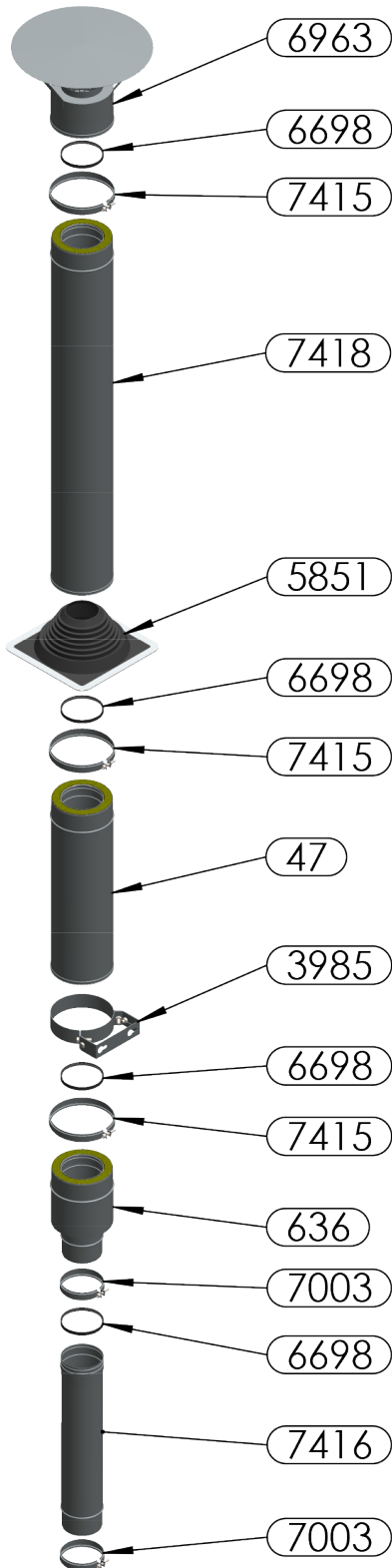
Article Nr.	pcs.	Description
7693	1	INOX Smoke out/fresh air in set through the wall L=400mm D = 100/150 mm
7415	2	INOX Pipe clamp type S-1, D = 150 mm
6698	2	Heat resistant O-ring D=100mm
7589	1	INOX Coaxial linear element L=500 mm, D = 100/150 mm
7590	1	INOX Coaxial connection part. Center's dist.140 mm, D = 100/150 mm
7003	2	INOX Pipe clamp type S1, D=100 mm

Description
Vertical venting set
with rain cap and roof flashing

Type
B23V

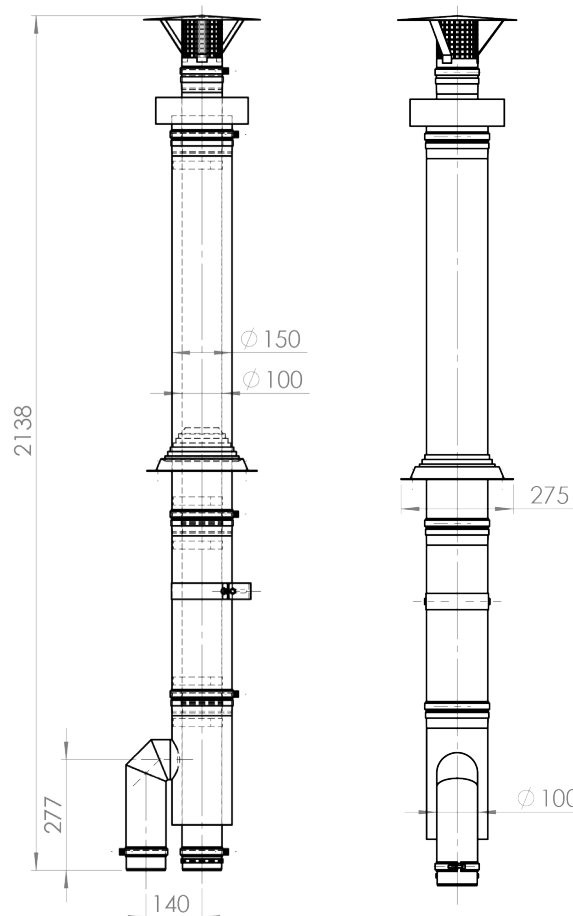
Article Nr.
8479

ZENIT air- and venting set



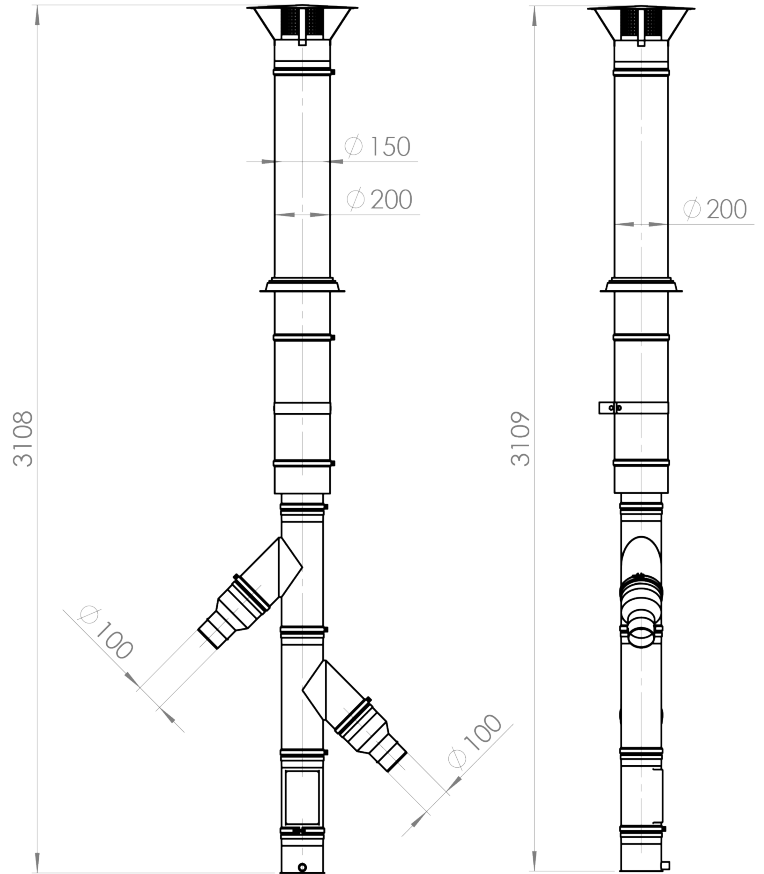
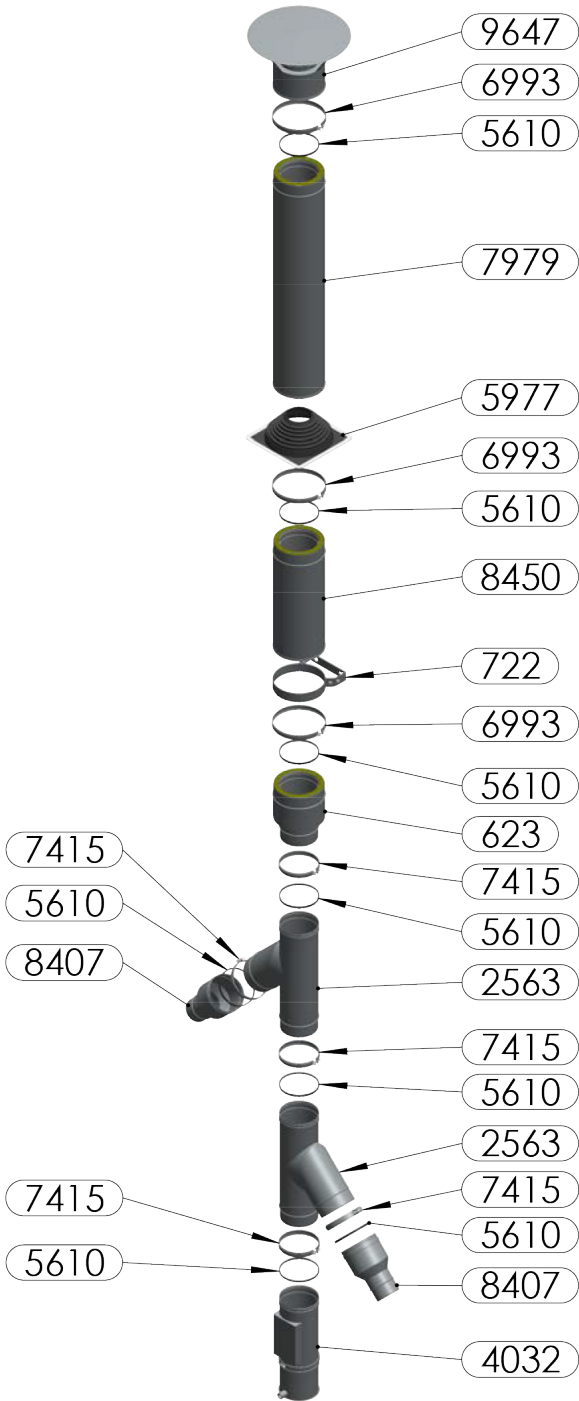
Article Nr.	pcs.	Description
6963	1	INOX IFC Rain cap with perforation D = 100/150 mm
6698	4	Heat resistant O-ring D=100mm
7415	3	INOX Pipe clamp type S-1, D = 150 mm
7418	1	INOX IFC Element L = 1m, D = 100/150 mm
5851	1	Rubber insulation for chimney D=102 - 178 mm
47	1	INOX IFC Element L = 500 mm, D = 100/150 mm
3985	1	INOX Wall collar, D=150 mm
636	1	INOX Double - single junction, D=100 mm
7003	2	INOX Pipe clamp type S1, D=100 mm
7416	1	INOX Linear element L = 500 mm D = 100 mm

Description	Type	Article Nr.
Coaxial, vertical combined air supply and venting set with rain cap and roof flashing	C33K	236



Article Nr.	pcs.	Description
7591	1	INOX Coaxial terminal (roof) L=615mm, D=100/150mm
7415	3	INOX Pipe clamp type S1, D=150 mm
7588	1	INOX Coaxial linear element L=1000 mm, D=100/150 mm
5851	1	Rubber insulation for chimney D=102 - 178 mm
6698	3	Heat resistant O-ring D=100mm
3985	1	INOX Wall collar, D=150 mm
7589	1	INOX Coaxial linear element L=500mm, D=100/150mm
7590	1	INOX Coaxial connection part center L = 140mm D=100/150mm
7003	2	INOX Pipe clamp type S1, D=100 mm

Description	Type	Article Nr.
Common vertical venting set for two Zenit appliances	KFSZ	7654



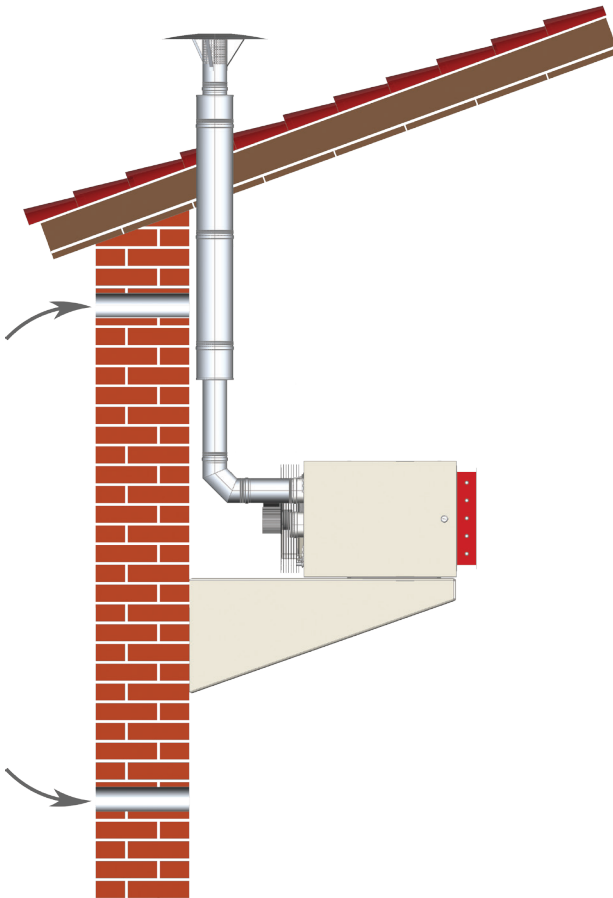
Article Nr.	pcs.	Description
9647	1	INOX Rain cap with perforation D = 150/200 mm
6993	3	Pipe clamp type S1, D=200 mm
5610	8	O-ring D=150 mm
7979	1	INOX IFC Element mt 1,0, D = 150/200 mm
5977	1	Rubber insulation for chimney D = 121 - 254 mm
8450	1	INOX IFC Element L=500 mm, D=200mm
722	1	INOX Wall collar, D=200 mm
623	1	INOX Double - single junction, D=150 mm
2563	2	INOX T-piece, equal, in 45°
7415	5	INOX Pipe clamp type S1, D=150 mm
8407	2	INOX Central cone reduction, 150/100 mm
4032	1	INOX Starting element with clin.door, base plate, condensate D=150mm

Exhaust system solutions For GTV air heaters

B22V
Exhaust system
through simple
roof

Fresh air
inlet

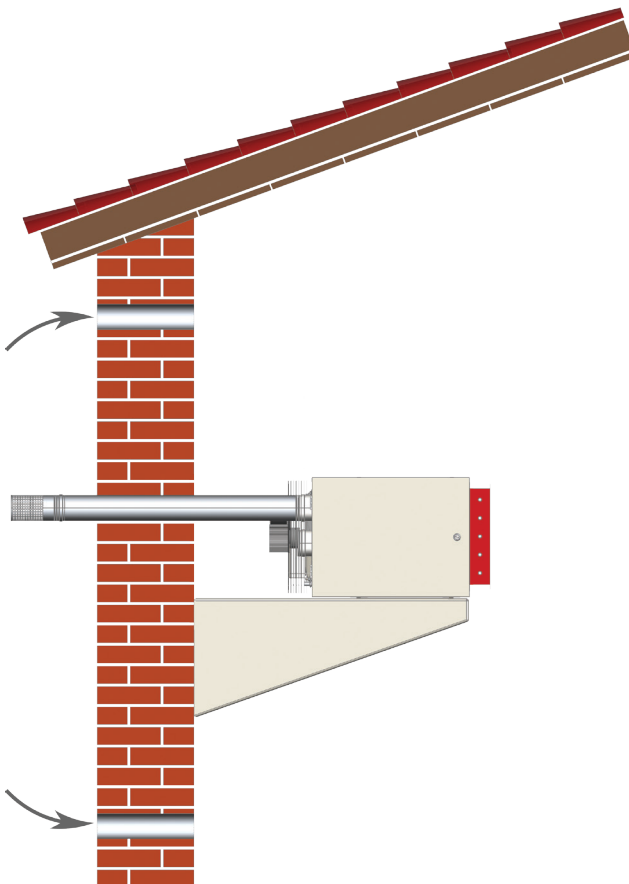
Fresh air
inlet



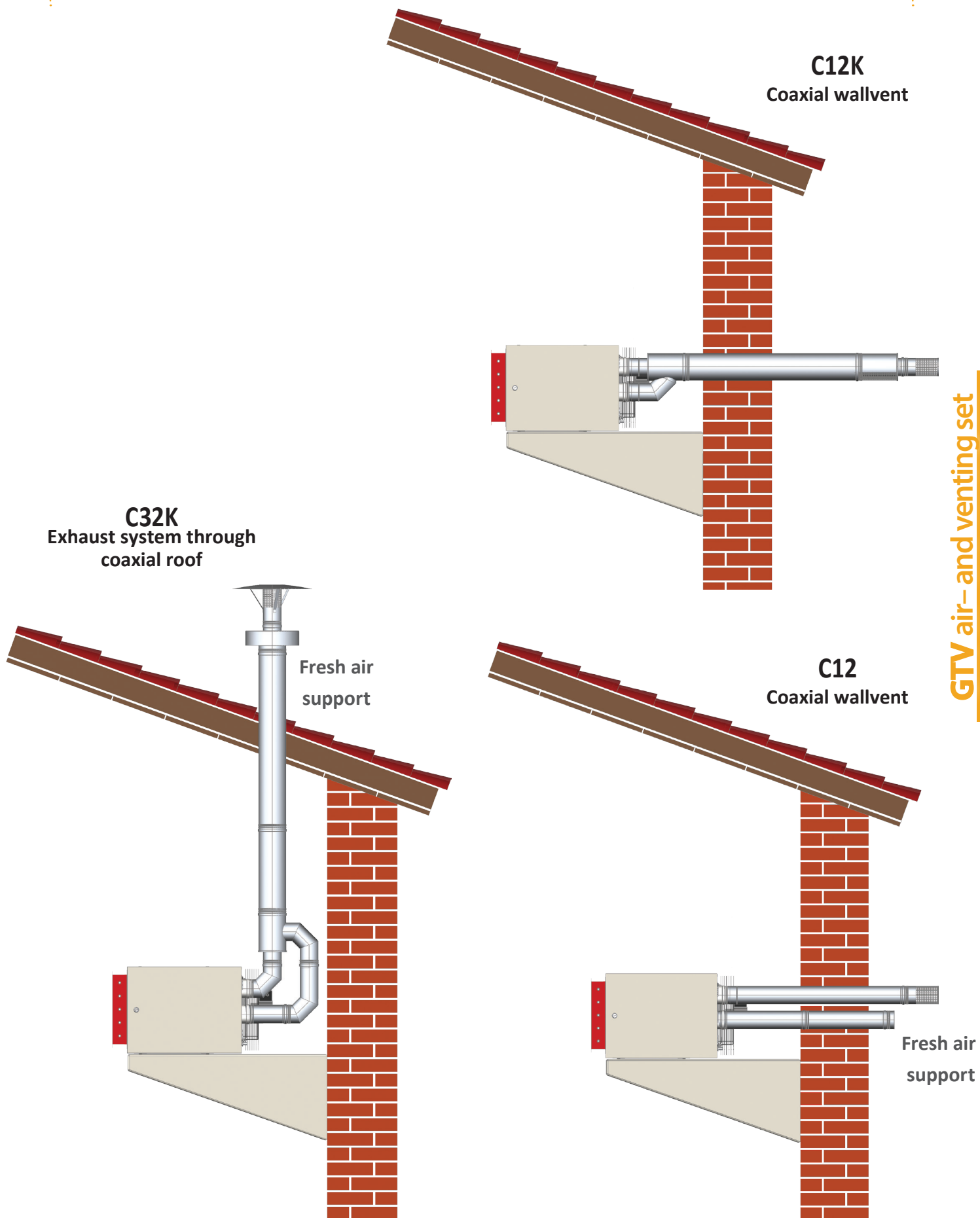
B22H
Simple wallvent

Fresh air
inlet

Fresh air
inlet



Exhaust system solutions For GTV air heaters



GTV Combined air supply and venting set

The GTV device family has got EC certificate for the following flue system codes: B22, C12, C32, C52.

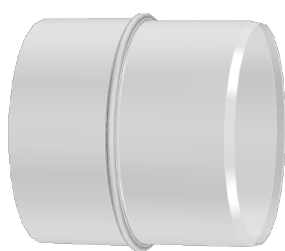
The ECO sets cannot be extended, they must be treated as one unit!

When ordering, or modifying the elements of the venting sets, the whole set must be assembled and ordered with new elements by article numbers!

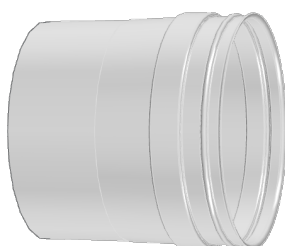
The air intake and flue gas outlet connections of GTV type products with a capacity, between 20kW and 58kW, are „mother” types. The diameter of the air and flue system of the GTV type devices is 100/100 mm.

For GTV type devices with a capacity between 68kW and 116kW the air intake connections „father” types and the flue gas outlet connections are „female” types. The diameter of the air and flue system of the GTV type devices is 150/100 mm.

The set you want to buy may require additional sections depending on the location of the installation.

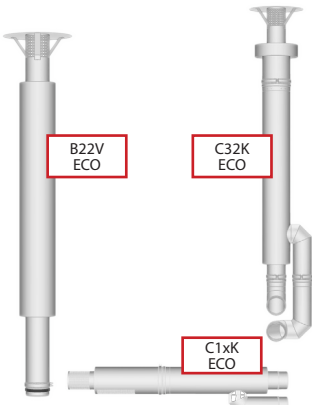


„Male”
profile ending



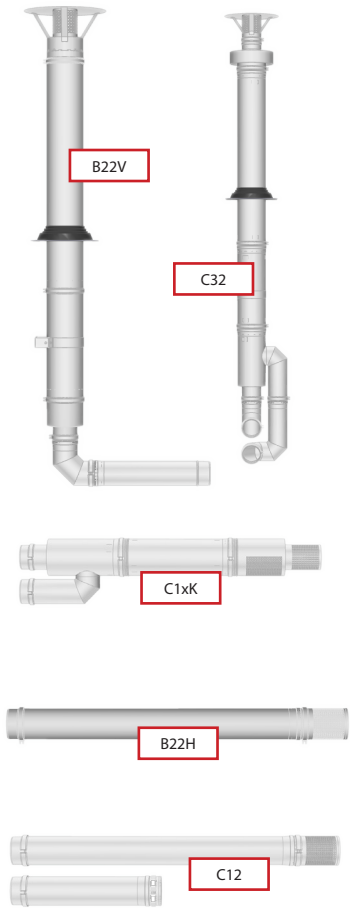
„Female”
profile ending

GTV INOX ECO Combined air supply and venting set *

	Type	Article Nr.
	Vertical outside venting set with rain cap	B22V ECO 9824
	Coaxial, horizontal combined air supply and venting set	C1xK ECO 9826
	Coaxial, vertical combined air supply and venting set, with double bend and rain cap	C32K ECO 9822

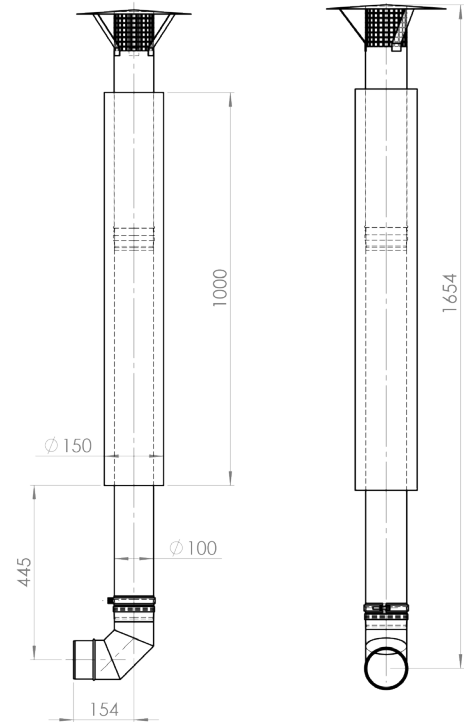
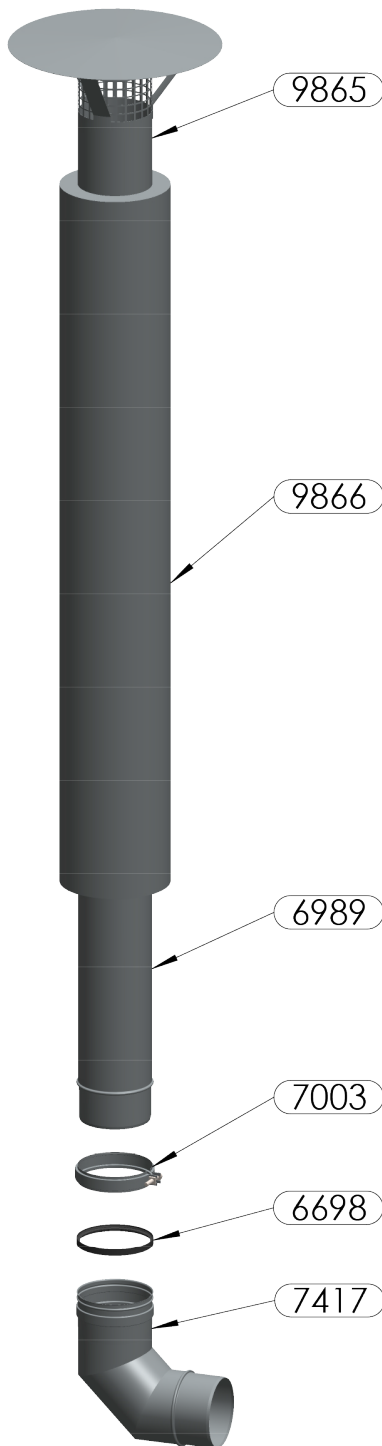
* The ECO sets cannot be extended, they must be treated as one unit!

GTV INOX Combined air supply and venting set

	Type	Article Nr.
	Horizontal outside air supply	OLSZ 100/500 9776
	Horizontal air venting set	B22H 7648
	Horizontal combined air supply and venting set	C12 7639
	Coaxial, horizontal combined air supply and venting set	C1xK 7572
	Coaxial, horizontal combined air supply and venting set to agricultural activity	C12K PTH 3607
	Coaxial, horizontal combined air supply and venting set	C12N 7775
	Vertical venting set with rain cap and roof flashing	B22V 7650
	Coaxial, vertical combined air supply and venting set with rain cap and roof flashing	C32 7556
Coaxial, vertical combined air supply and venting set with rain cap and roof flashing	C32N 7952	

Description	Type	Article Nr.
Vertical outside venting set with rain cap	B22V ECO	9824

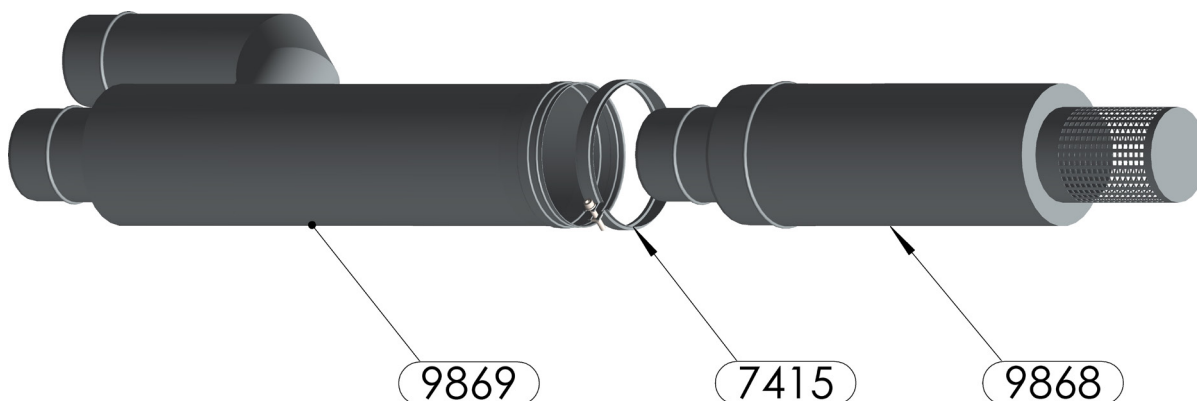
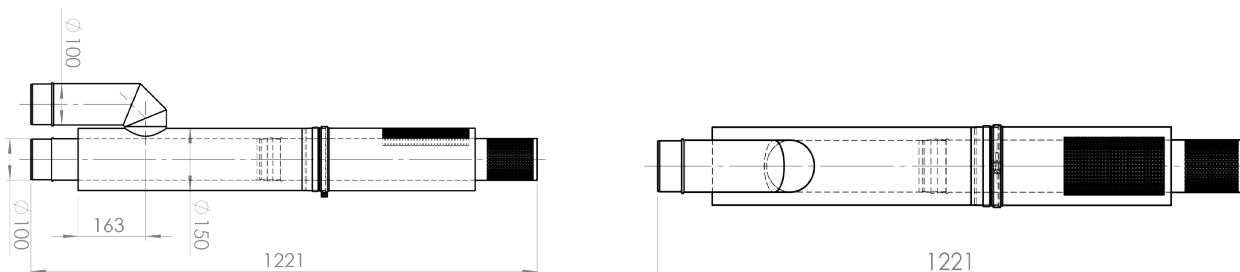
The ECO sets cannot be extended, they must be treated as one unit!



Code	pcs.	Description
9865	1	INOX Rain cap with perforation L = 615 mm, D = 100 mm
9866	1	INOX Double tube L=1 m, D=100/150 mm with closed ends
6989	1	INOX Linear element L=1000 mm, D=100 mm
7003	1	INOX Pipe clamp type S1, D=100 mm
6698	1	Heat resistant O-ring D=100mm
7417	1	INOX Elbow 90° (3-segment), D=100 mm

Description	Type	Article Nr.
Coaxial, horizontal combined air supply and venting set	C1xK ECO	9826

The ECO sets cannot be extended, they must be treated as one unit!

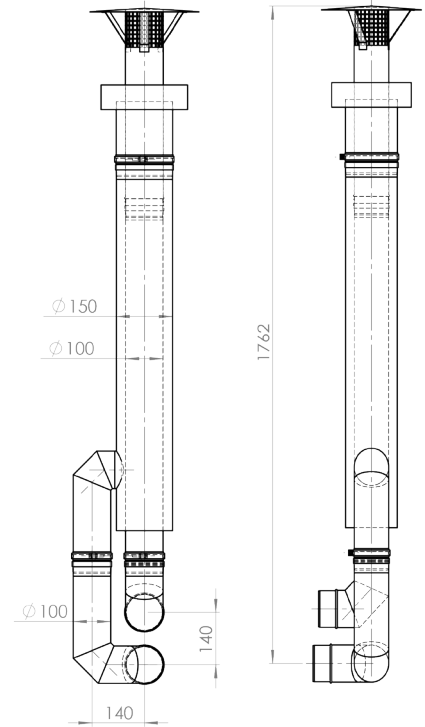
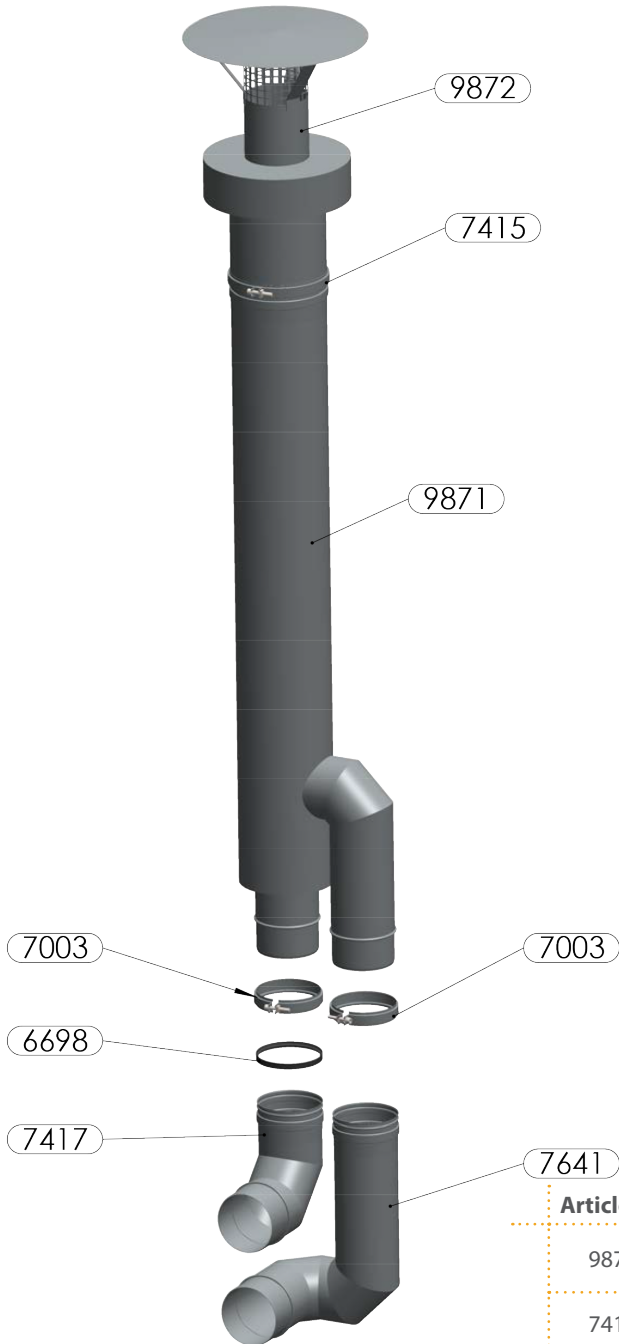


GTV air- and venting set

Article Nr.	pcs.	Description
9868	1	INOX Wall set combined, coaxial cap with perforation 400/100/150 mm
7415	1	INOX Pipe clamp type S1, D=150 mm
9869	1	INOX Connection part for two 100 mm pipes, 600/100/150 mm

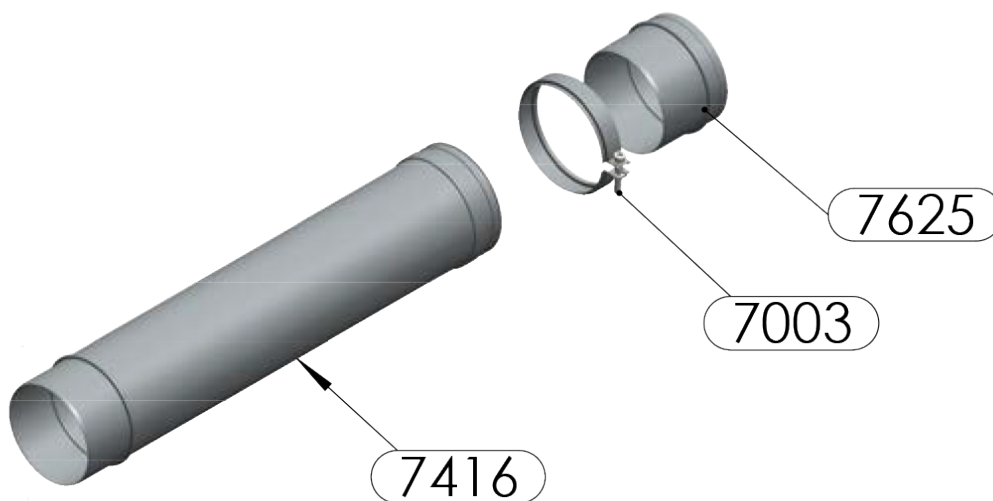
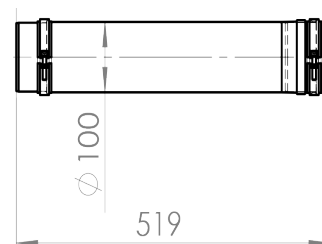
Description	Type	Article Nr.
Coaxial, vertical combined air supply and venting set, with double bend and rain cap	C32K ECO	9822

The ECO sets cannot be extended, they must be treated as one unit!



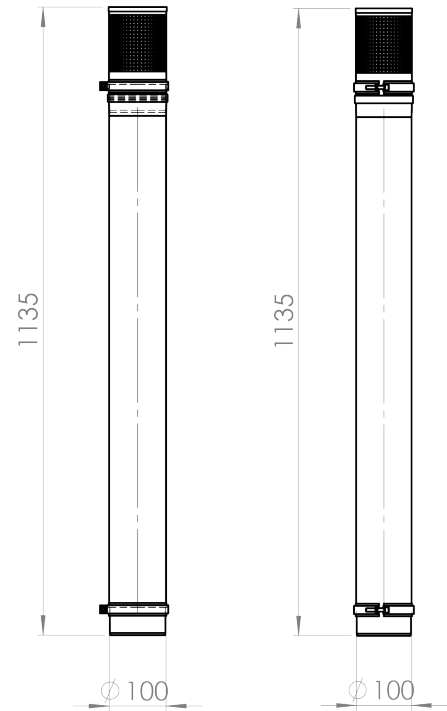
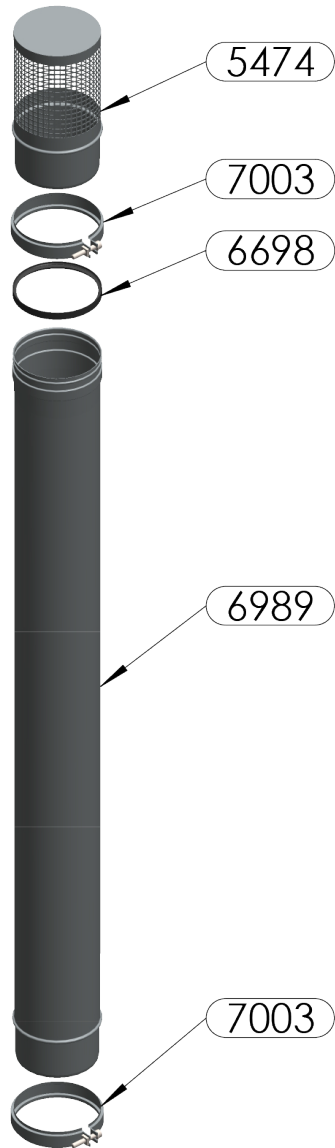
Article Nr.	pcs.	Description
9872	1	Coaxial smoke/air supply roof set L=615mm, D=100/150mm
7415	1	INOX Pipe clamp type S1, D=150 mm
9871	1	Connection part for two 100mm pipes L=1m, D=100/150mm
7003	2	INOX Pipe clamp type S1, D=100 mm
7641	1	INOX Double elbow for roof coaxial connection
6698	1	Heat resistant O-ring D=100mm
7417	1	INOX Elbow 90° (3-segment), D=100 mm

Description	Type	Article Nr.
Horizontal outside air supply	OLSZ 100/500	9776



Article Nr.	pcs.	Description
7625	1	INOX Perforated plug D = 100 mm (without widen)
7003	1	INOX Pipe clamp type S1, D=100 mm
7416	1	INOX Linear element L = 500 mm D = 100 mm

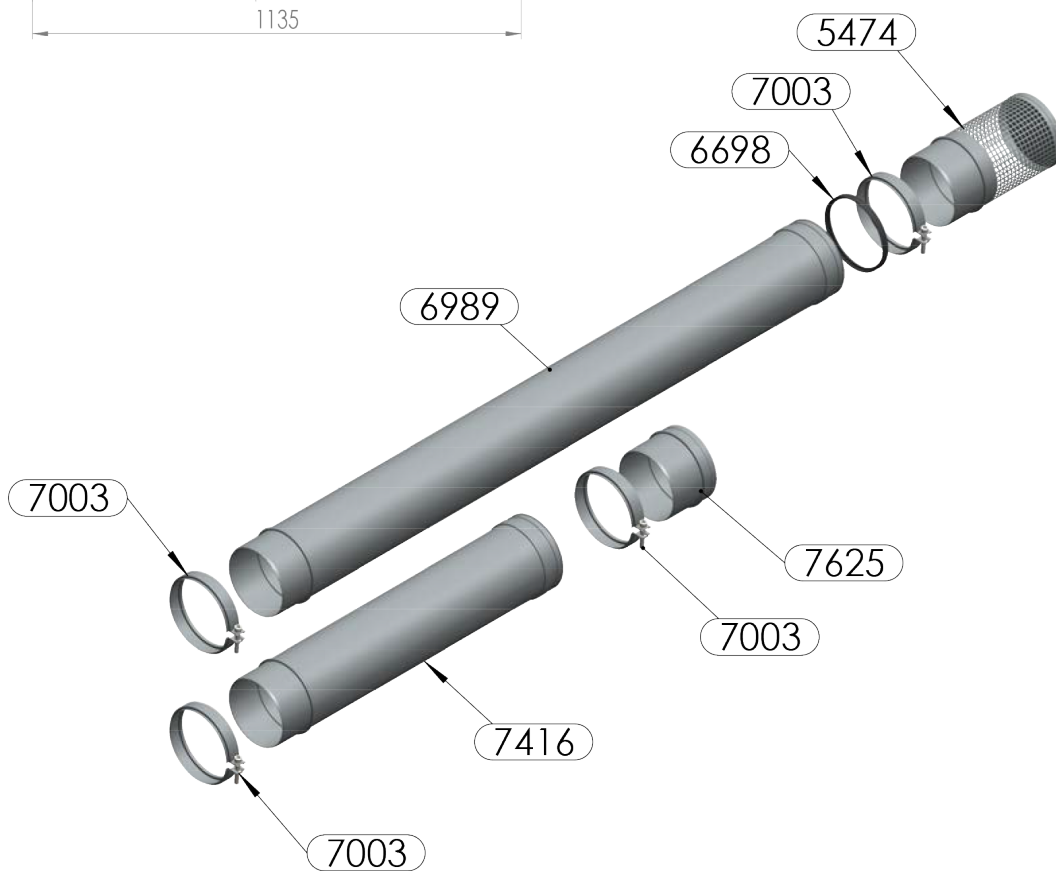
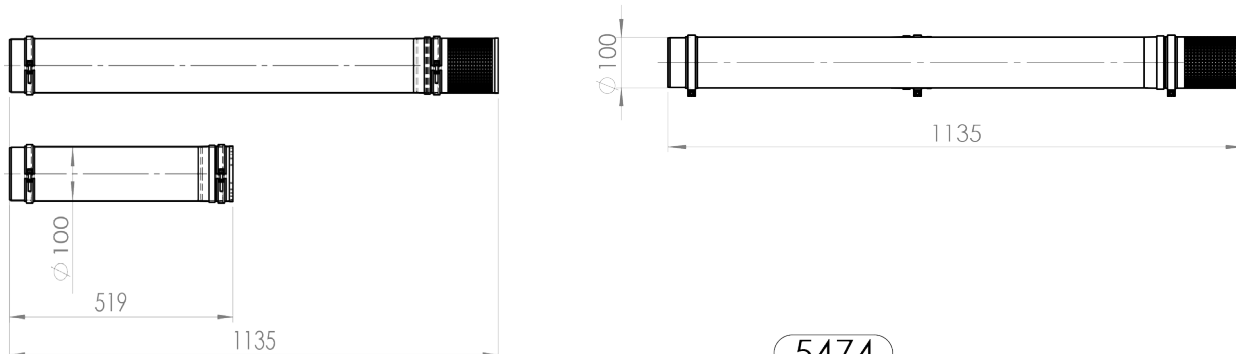
Description	Type	Article Nr.
Horizontal air venting set	B22H	7648



GTV air- and venting set

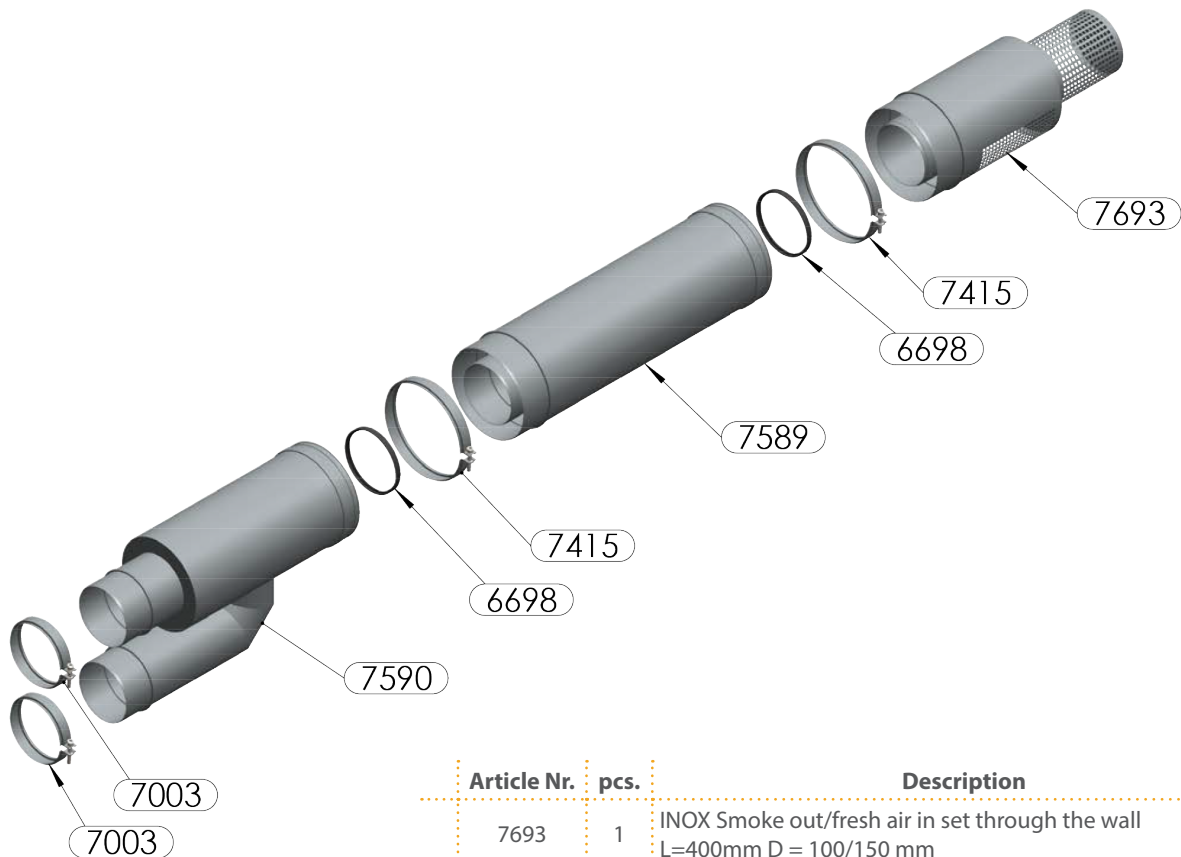
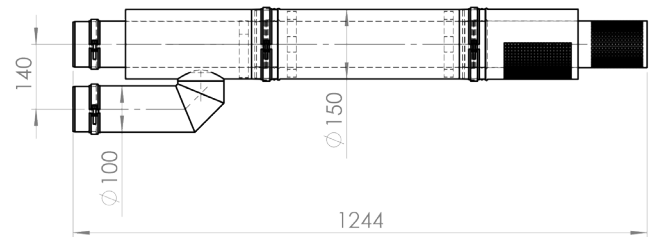
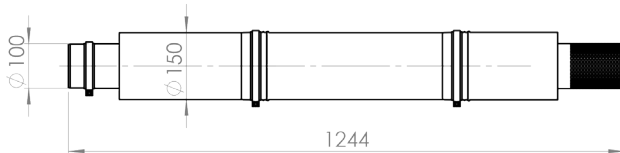
Article Nr.	pcs.	Description
5474	1	INOX Final element with perforation D = 100 mm
7003	2	INOX Pipe clamp type S1, D=100 mm
6698	1	Heat resistant O-ring D=100mm
6989	1	INOX Linear element L=1000 mm, D=100 mm

Description	Type	Article Nr.
Horizontal combined air supply and venting set	C12	7639



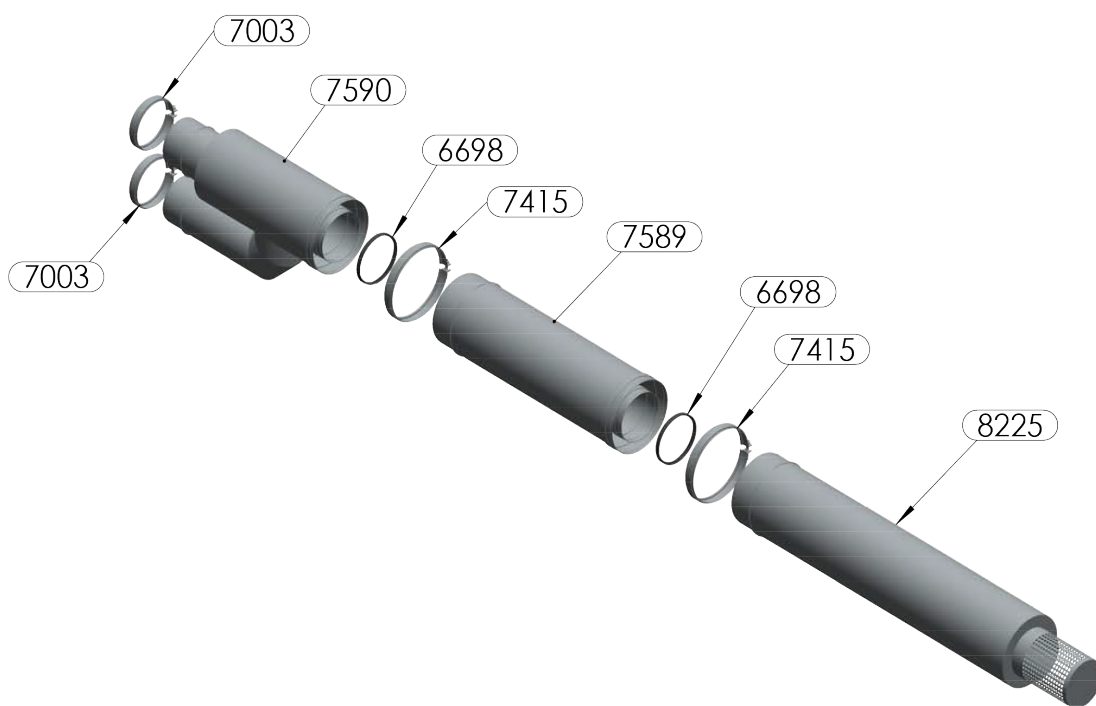
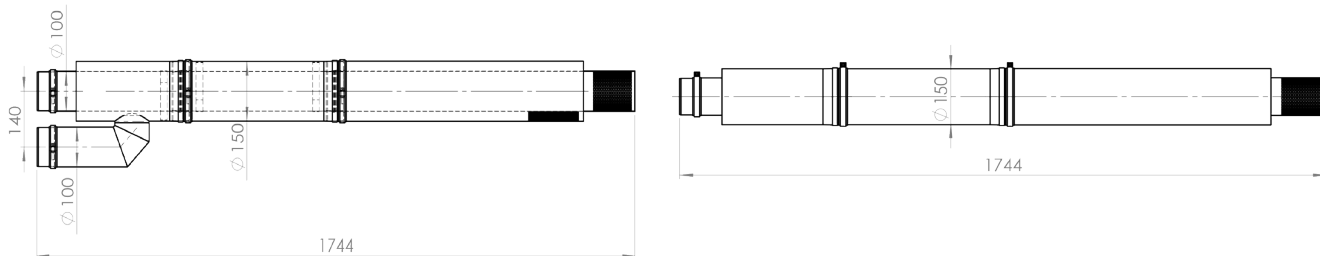
Article Nr.	pcs.	Description
5474	1	INOX Final element with perforation D = 100 mm
7003	4	INOX Pipe clamp type S1, D=100 mm
6698	1	Heat resistant O-ring D=100mm
6989	1	INOX Linear element L=1000 mm, D=100 mm
7625	1	INOX Perforated plug D = 100 mm (without widen)
7416	1	INOX Linear element L = 500 mm D = 100 mm

Description	Type	Article Nr.
Coaxial, horizontal combined air supply and venting set	C1xK	7572



Article Nr.	pcs.	Description
7693	1	INOX Smoke out/fresh air in set through the wall L=400mm D = 100/150 mm
7415	2	INOX Pipe clamp type S1, D=150 mm
6698	2	Heat resistant O-ring D=100mm
7589	1	INOX Coaxial linear element 100/150/500mm
7590	1	INOX Coaxial connection part center 140 mm, D = 100/150 mm
7003	2	INOX Pipe clamp type S1, D=100 mm

Description	Type	Article Nr.
INOX coaxial horizontal exhaust/suction wall set for agricultural application	C12K PTH	3607



Article Nr.	pcs.	Description
7003	2	INOX Pipe clamp type S1, D=100 mm
7590	1	INOX Coaxial connection part center 140 mm, D = 100/150 mm
6698	2	Heat resistant O-ring D=100mm
7589	1	INOX Coaxial linear element 100/150/500mm
7415	2	INOX Pipe clamp type S1, D=150 mm
8225	1	INOX Coaxial terminal L=900mm, D=100/150mm

Description

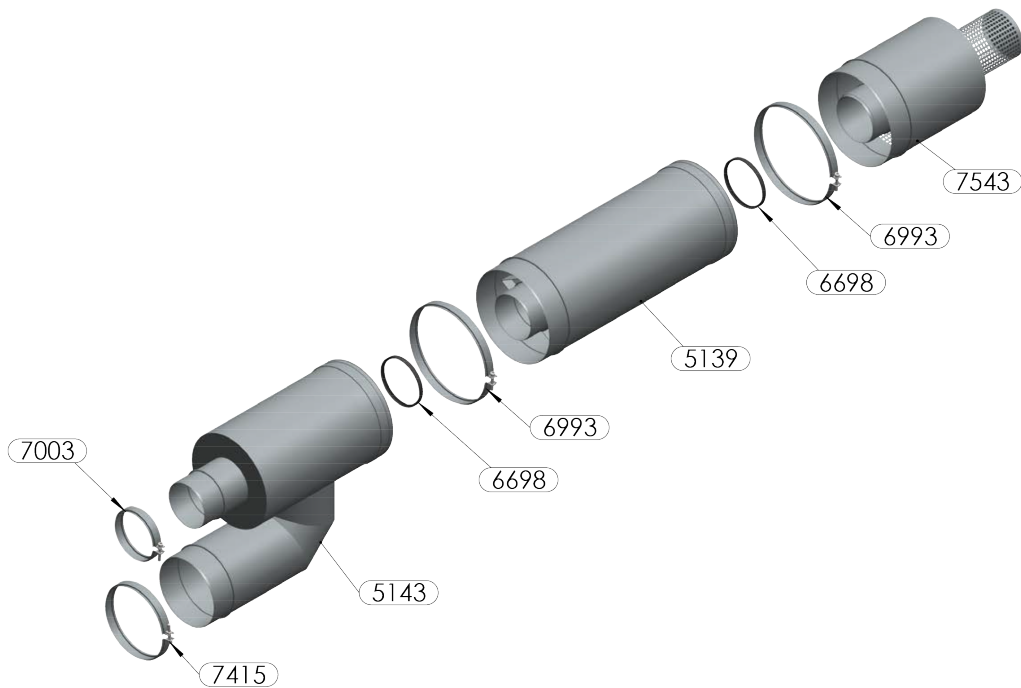
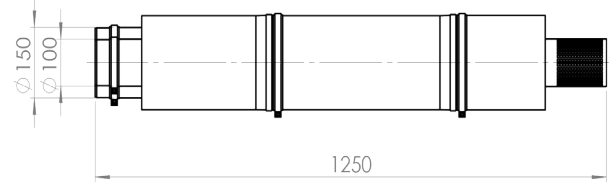
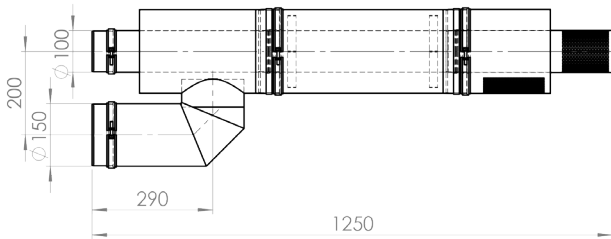
Type

Article Nr.

INOX coaxial horizontal exhaust/suction wall set

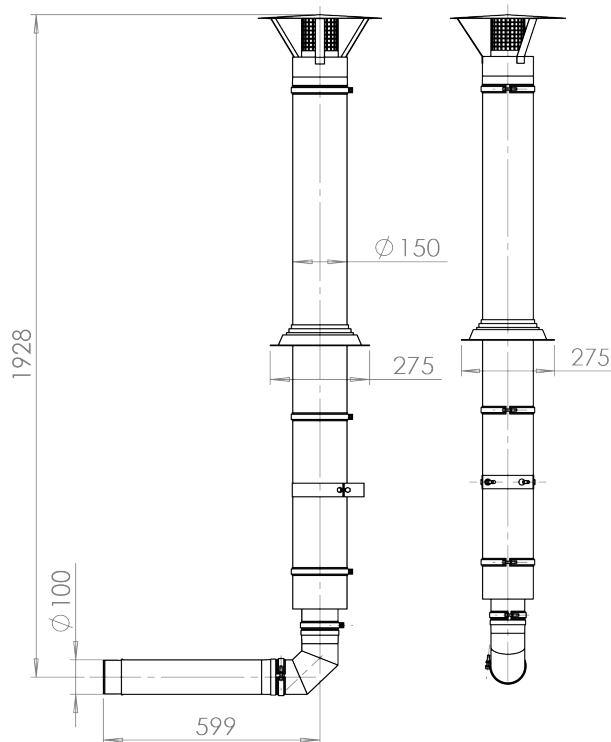
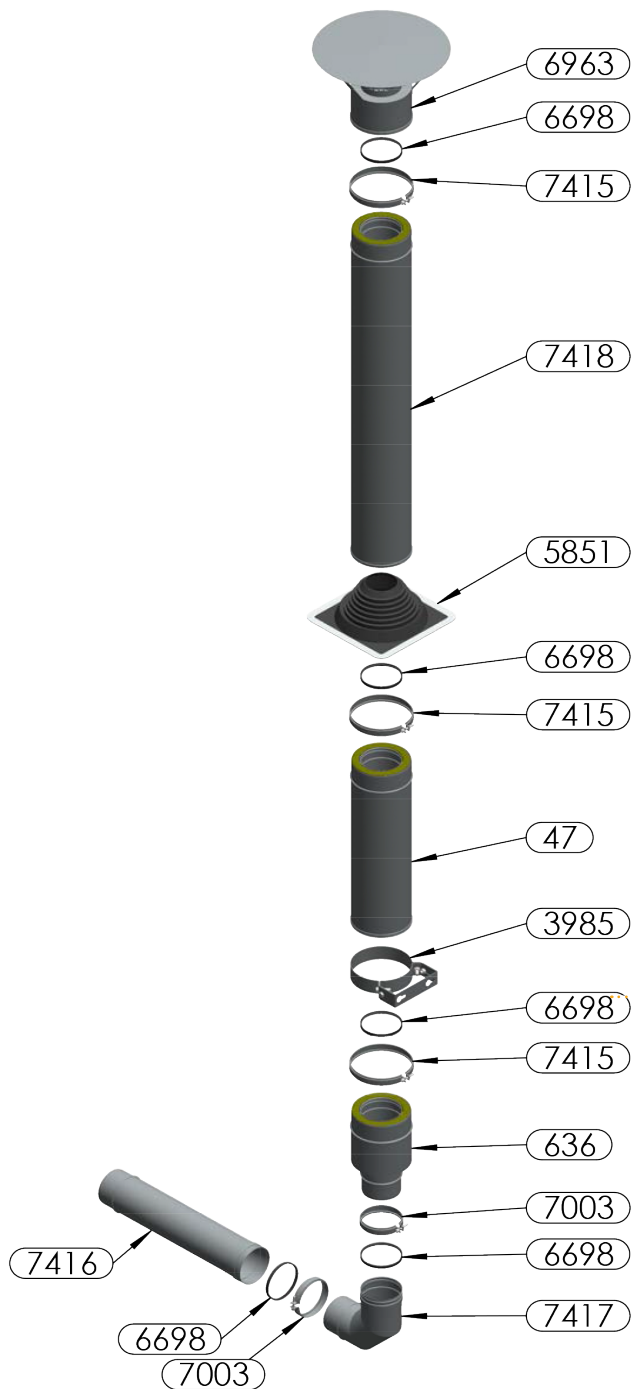
C12N

7775



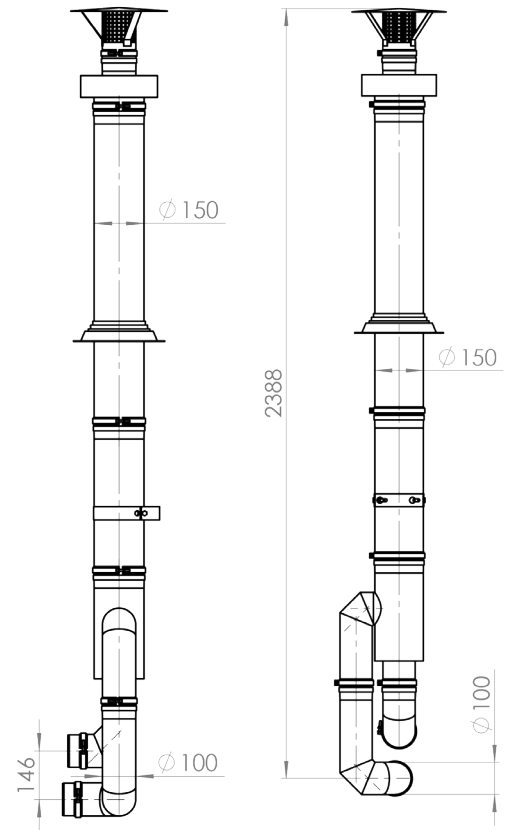
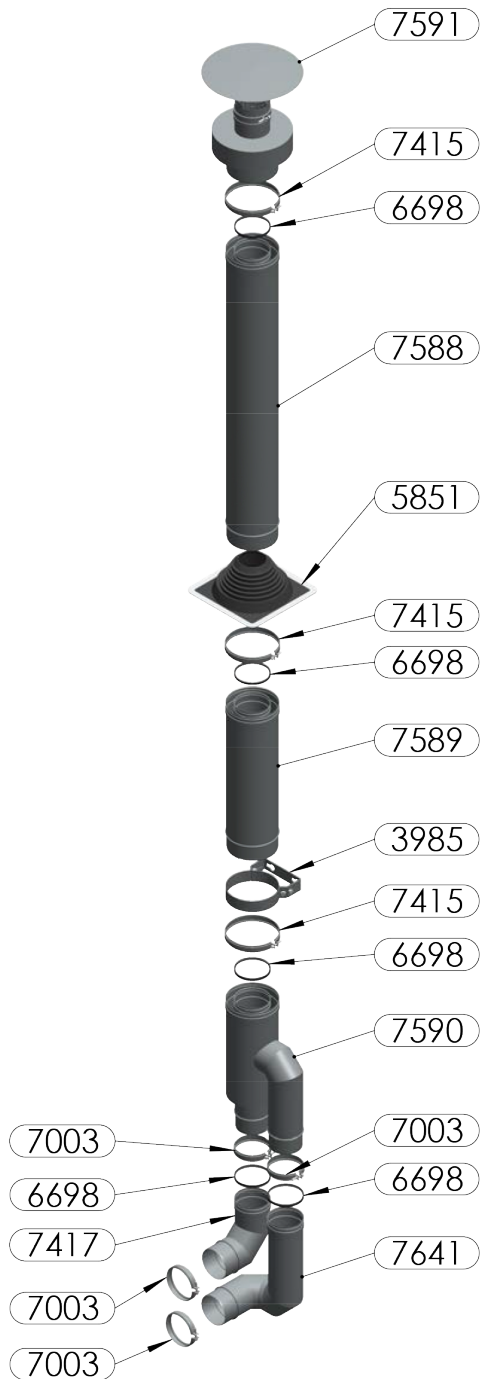
Article Nr.	pcs.	Description
7543	1	INOX Coaxial terminaD=100/200mm
6993	2	INOX Pipe clamp type S1, D=200 mm
6698	2	Heat resistant O-ring D=100mm
5139	1	INOX Coaxial linear element fi L= 500mm, D=100/200mm
5143	1	INOX Coaxial connection adapter, center 200 mm, D = 100/200 mm
7415	1	INOX Pipe clamp type S1, D=150 mm
7003	1	INOX Pipe clamp type S1, D=100 mm

Description	Type	Article Nr.
Vertical venting set with rain cap and roof flashing	B22V	7650



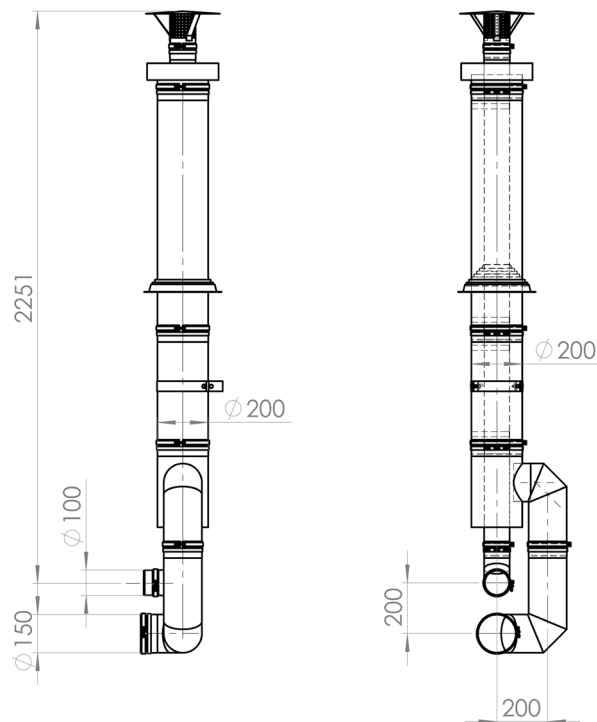
Article Nr.	pcs.	Description
6963	1	INOX IFC Rain cap with perforation D=100/150mm
6698	5	Heat resistant O-ring D=100mm
7415	3	INOX Pipe clamp type S1, D=150 mm
7418	1	INOX IFC Element L=1m, D=100/150mm
5851	1	Rubber insulation for chimney D=102 - 178 mm
47	1	INOX IFC Element L=500 mm, D=100/150mm
3985	1	INOX Wall collar, D=150 mm
636	1	INOX Double - single junction, D=100 mm
7003	2	INOX Pipe clamp type S1, D=100 mm
7417	1	INOX Elbow 90° (3-segment), D=100 mm
7416	1	INOX Linear element L = 500 mm D = 100 mm

Description	Type	Article Nr.
Coaxial vertical exhaust/suction wall set with rain cap	C32	7556



Article Nr.	pcs.	Description
7591	1	INOX Coaxial terminal (roof) D=100/150mm
7415	3	INOX Pipe clamp type S1, D=150 mm
6698	5	Heat resistant O-ring D=100mm
7588	1	INOX Coaxial linear element fi L=1m, D=100/150mm
5851	1	Rubber insulation for chimney D=102 - 178 mm
7589	1	INOX Coaxial linear element fi L=500mm, D=100/150mm
3985	1	INOX Wall collar, D=150 mm
7590	1	INOX Coaxial connection part center 140 mm, D = 100/150 mm
7003	4	INOX Pipe clamp type S1, D=100 mm
7417	1	INOX Elbow 90° (3-segment), D=100 mm
7641	1	INOX Double elbow for roof coaxial connection

Description	Type	Article Nr.
Coaxial vertical exhaust/suction wall set with rain cap	C32N	7952

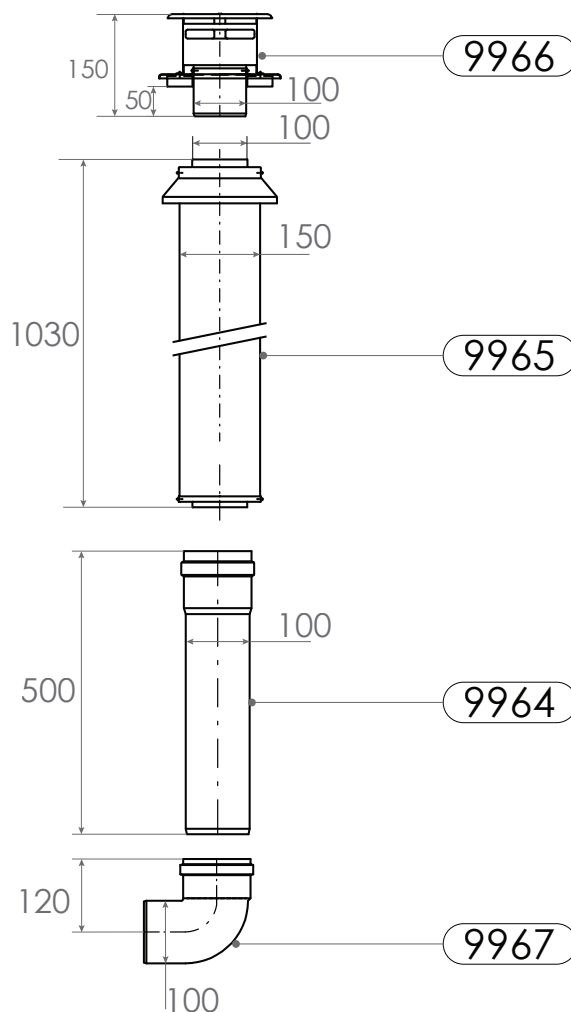


Article Nr.	pcs.	Description
5138	1	INOX Coaxial terminal fi 100/200
6993	3	INOX Pipe clamp type S1, D=200 mm
6698	4	Heat resistant O-ring D=100mm
4512	1	INOX Coaxial linear element fi L=1m, D=100/200mm
5977	1	Rubber insulation for chimney D=121 - 254 mm
5139	1	INOX Coaxial linear element fi L=500mm, D=100/200mm
722	1	INOX Wall collar, D=200 mm
5143	1	INOX Coaxial connection part center:200mm fi100/200mm
7003	2	INOX Pipe clamp type S1, D=100 mm
7417	1	INOX Elbow 90° (3-segment), D=100 mm
7415	2	INOX Pipe clamp type S1, D=150 mm
5071	1	INOX Double elbow for roof coaxial connection D = 150 mm

GTV ALUMINIUM Combined air supply and venting set

Description	Type	Article Nr.
Vertical venting set with rain cap and roof flashing	B22V ALU ECO	9970
Coaxial, horizontal combined air supply and venting set	C1XK ALU ECO	9969
Coaxial, vertical combined air supply and venting	C32K ALU ECO	9968

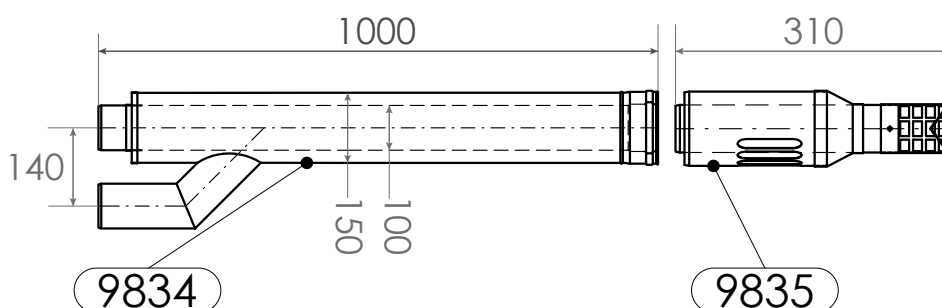
Description	Type	Article Nr.
Vertical exhaust set with rain cap	B22V ALU ECO	9970



GTV air- and venting set

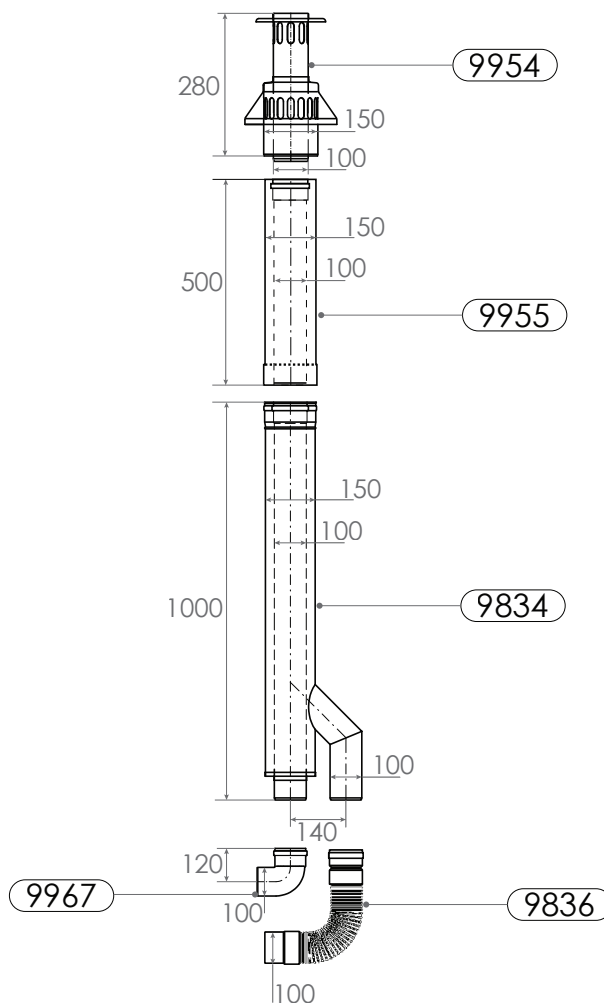
Article Nr.	pcs.	Description
9966	1	Alu flue terminal with rim L=150 D=100
9965	1	Alu roof crosser L=1030mm D=150/100mm
11058	1	Alu straight pipe inside the 9965. L=1m
9964	1	Alu straight pipe, L=500mm, D=100mm
9967	1	Alu 90° elbow L=120mm, D=100mm

Description	Type	Article Nr.
Coaxial horizontal exhaust/suction wall set	C1XK ALU ECO	9969
Cardboard box packaging per set, on EUR pallets (max. 10 sets / pallet)		9987



Article Nr.	pcs.	Description
9835	1	Alu coaxial flue/air intake terminal with grid cover L=310mm, D=100/150mm
9834	1	Alu coaxial chimney combiner element L=1m, D=100/150mm













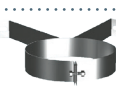





Description	Type	Article Nr.
Coaxial vertical exhaust/suction wall set	C32K ALU ECO	9968
Cardboard box packaging per set, on EUR pallets (max. 7 sets / pallet)		9986









GTV air- and venting set

Article Nr.	pcs.	Description
9954	1	Alu coaxial roof crosser with flue terminal L=280mm, D=100/150mm
9955	1	ALU double walled roof crosser L=500mm, D=100/150mm
9834	1	Alu coaxial chimney combiner element L=1m, D=100/150mm
9967	1	Alu 90° elbow L=120mm, D=100mm
9836	1	Alu flexible air intake pipe L=425-1250mm, D=100mm






One-wall exhaust system profiles

			Type	Article Nr.
	1000 mm straight exhaust system pipe	INOX	LDC 1000	6989
	500 mm straight exhaust system pipe, Ø100 mm	INOX	LDC 500	7416
	250 mm straight exhaust system pipe, Ø100 mm	INOX	LDC 250	7944
	Bend 90°, three parts 165x165mm, Ø100 mm	INOX	LDKB 90	7417
	Three-part 90° bend with removable observing door 180x180mm, Ø100 mm	INOX	LDKBCR90	3597
	Bend 45°, two parts, Ø100 mm	INOX	LDKB 45	6424
	Strained „T“ profile equal 90°330x200mm, Ø100 mm	INOX	LTK90	5439
	Strained „T“ profile, 330mm, Ø100 mm	INOX	LTK45	8515
	Condense draining profile, side outflow 3/8” 240mm, Ø100 mm	INOX	LPDEA	4685
	Chimney starting profile with an observing door + a condense draining opening, 460mm, Ø100 mm	INOX	LKOMORA	4977
	Pipe switch clamp	INOX	LS-1	7003
	“O” filler ring (to inner diameter), Ø100 mm		OGY	6698
	Wall Y fix fastener clamp	INOX	LZDJ	1048
	Fume pipe to wall fastener	INOX	LZDR	8387
	500 mm straight pipe with removable observing door	INOX	LDCCR 500/100	3598
	Bend 90°, three parts, widened on both sides Ø100 mm	INOX	LDKBD 90/100	9846
	250 mm pipe widened on both sides Ø100mm	INOX	LDDC 250/100	8490
	Strained „T“ profile with drain pipe Ø100 mm	INOX	LTKKBM 90/100	3596

Burning-air lead-in

			Type	Article Nr.
	Flexible fume pipe D100 mm min.: 1,5m/device Price per metre	INOX	LJFC	857
	Cased connector profile to FLEXI fume pipes D100 (female)	INOX	LNFKC	858
	Cased connector profile to FLEXI fume pipes D100 (male)	INOX	LNSFKB	859
	Combustion gas side INOX fix transition profile widened on both sides		LDDC 250/100	8490
	Acid-resistant clamp INOX to flexi fume pipes		SZB	7425
	Bend 90°, three parts, widened on both sides, Ø100 mm	INOX	LDKBD 90/100	9846

Coaxial exhaust system profiles

			Type	Article Nr.
	1000 mm straight coaxial exhaust system pipe external Ø 150 mm, internal Ø 100 mm	INOX	LKDC1000/100/150	7588
	500 mm straight coaxial exhaust system pipe external Ø 150 mm, internal Ø 100 mm	INOX	LKDC500/100/150	7589
	250 mm straight coaxial exhaust system pipe external Ø 150 mm, internal Ø 100 mm	INOX	LKDC250/100/150	4579
	Coaxial bend 90°, three parts external Ø 150 mm, internal Ø 100 mm	INOX	LKDCB90/100/150	4497
	Coaxial bend 45°, two parts external Ø150mm, internal Ø 100 mm	INOX	LKDCB45/100/150	4450

PAKOLE Trade Ltd.

H-8000 Székesfehérvár
Börgöndi út 8-10.
+36 22 316 484
mail@pakole.hu

www.pakole.com